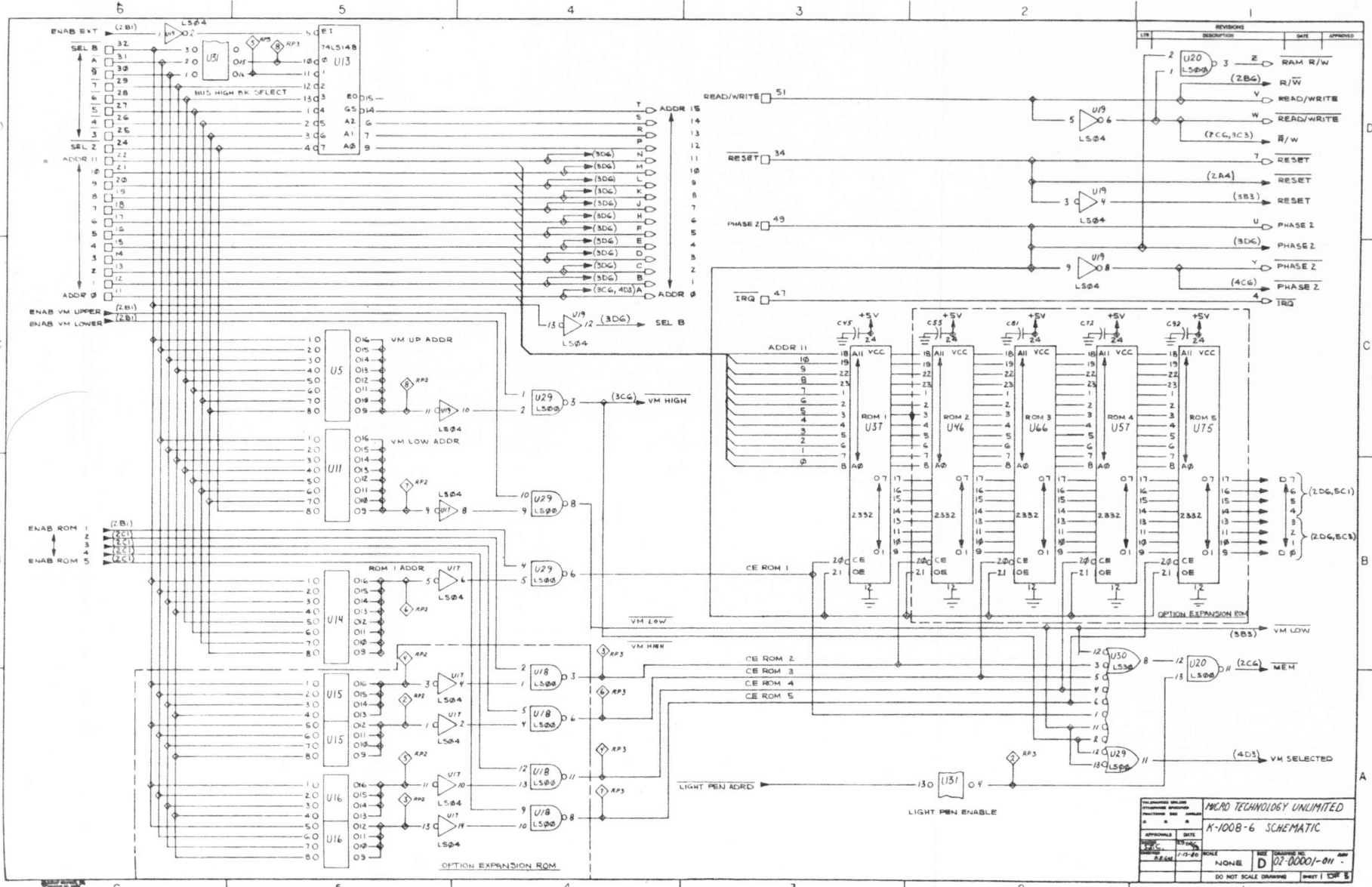


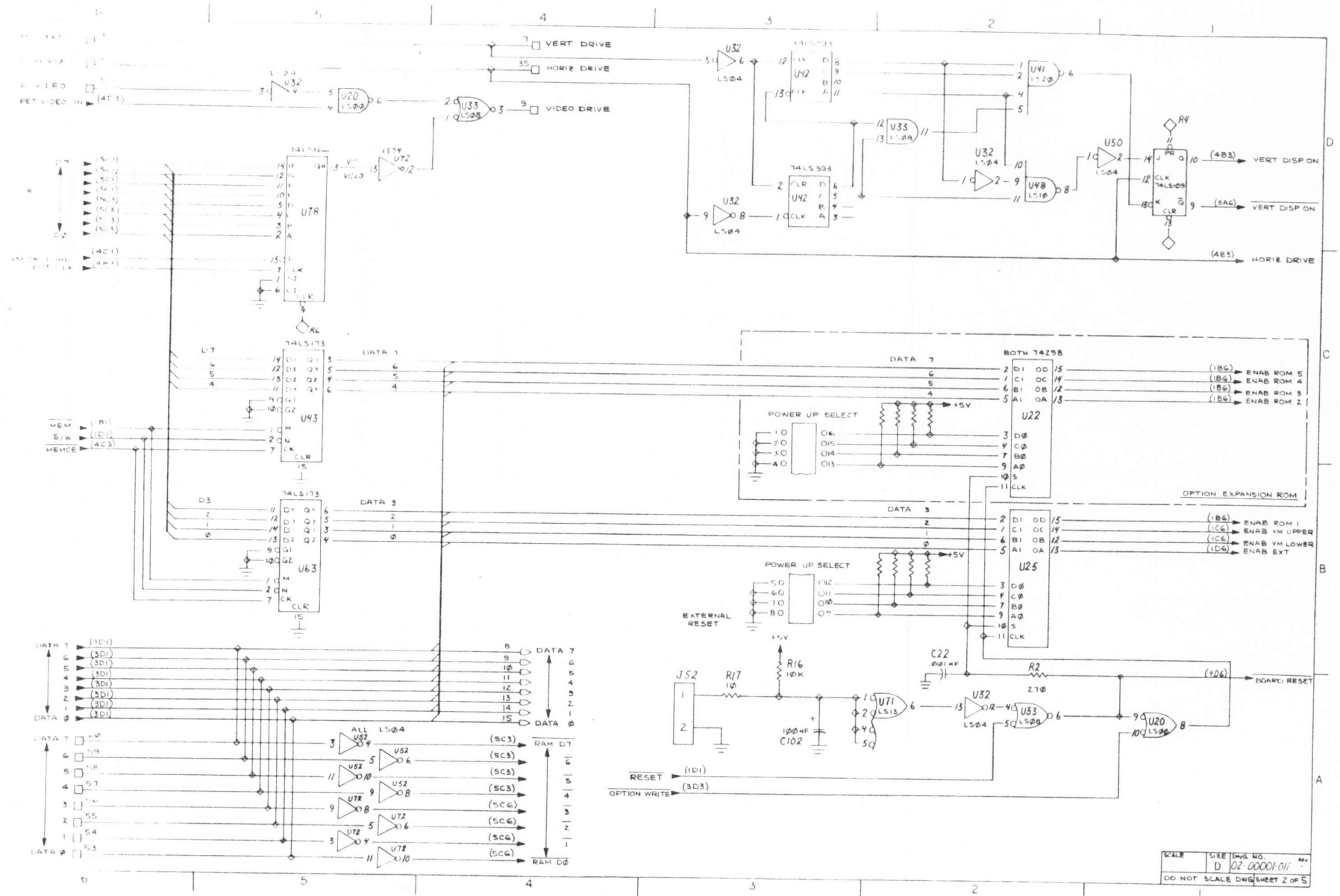
ROM SOCKET LOCATIONS

ROM 1	U37	ROM 4	U57
ROM 2	U46	ROM 5	U75
ROM 3	U66		

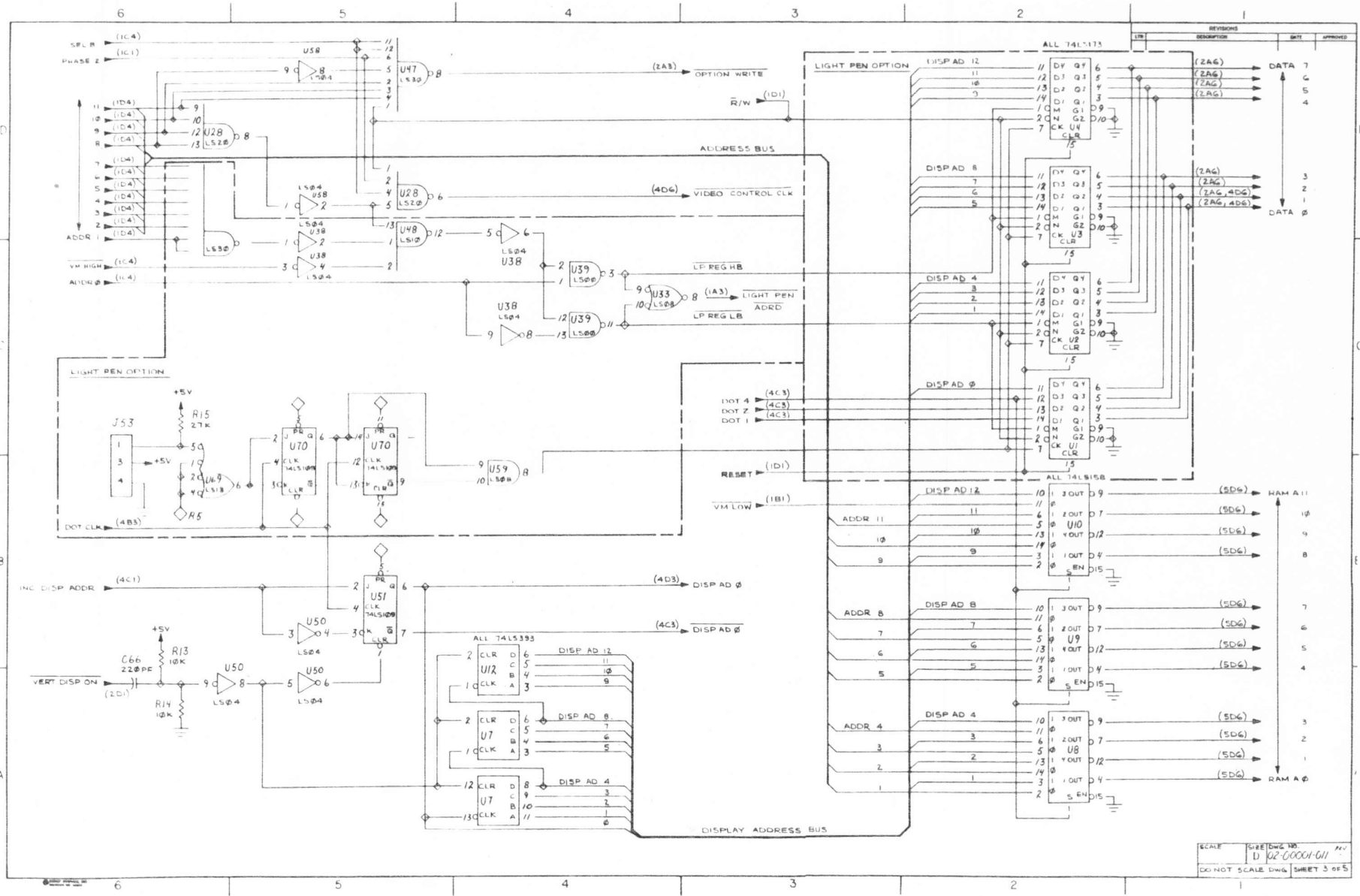
28



APPROVALS		DATE		REV	
MICRO TECHNOLOGY UNLIMITED		K-100B-6 SCHEMATIC			
APPROVED	DATE	REV	DESCRIPTION	DATE	APPROVED
NONE		D	02-00001-01		
DO NOT SCALE DRAWING SHEET 1 OF 5					

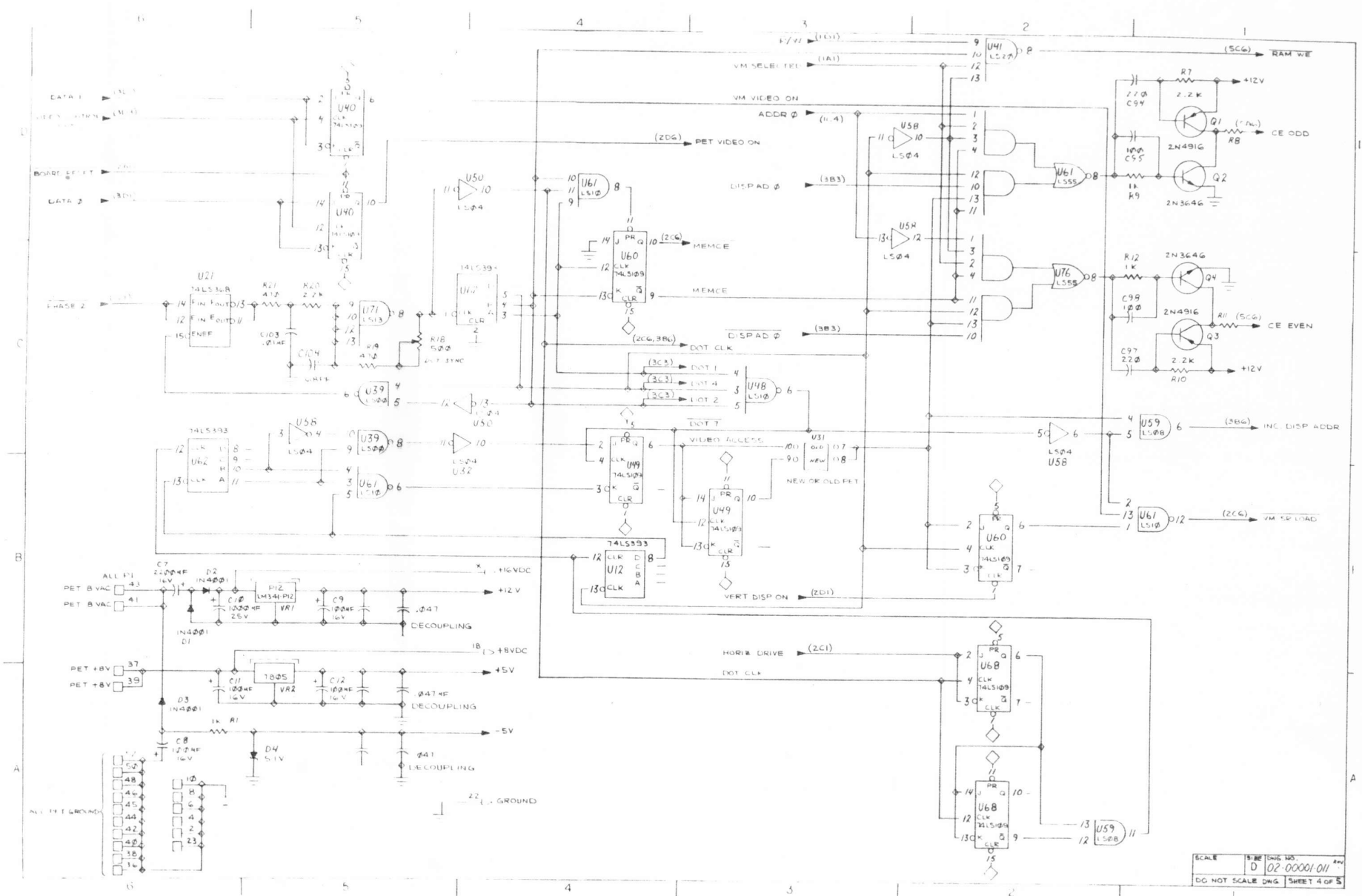


SCALE SEE DWG. NO. D 02-00001-011
 DO NOT SCALE DWG. SHEET 2 OF 5



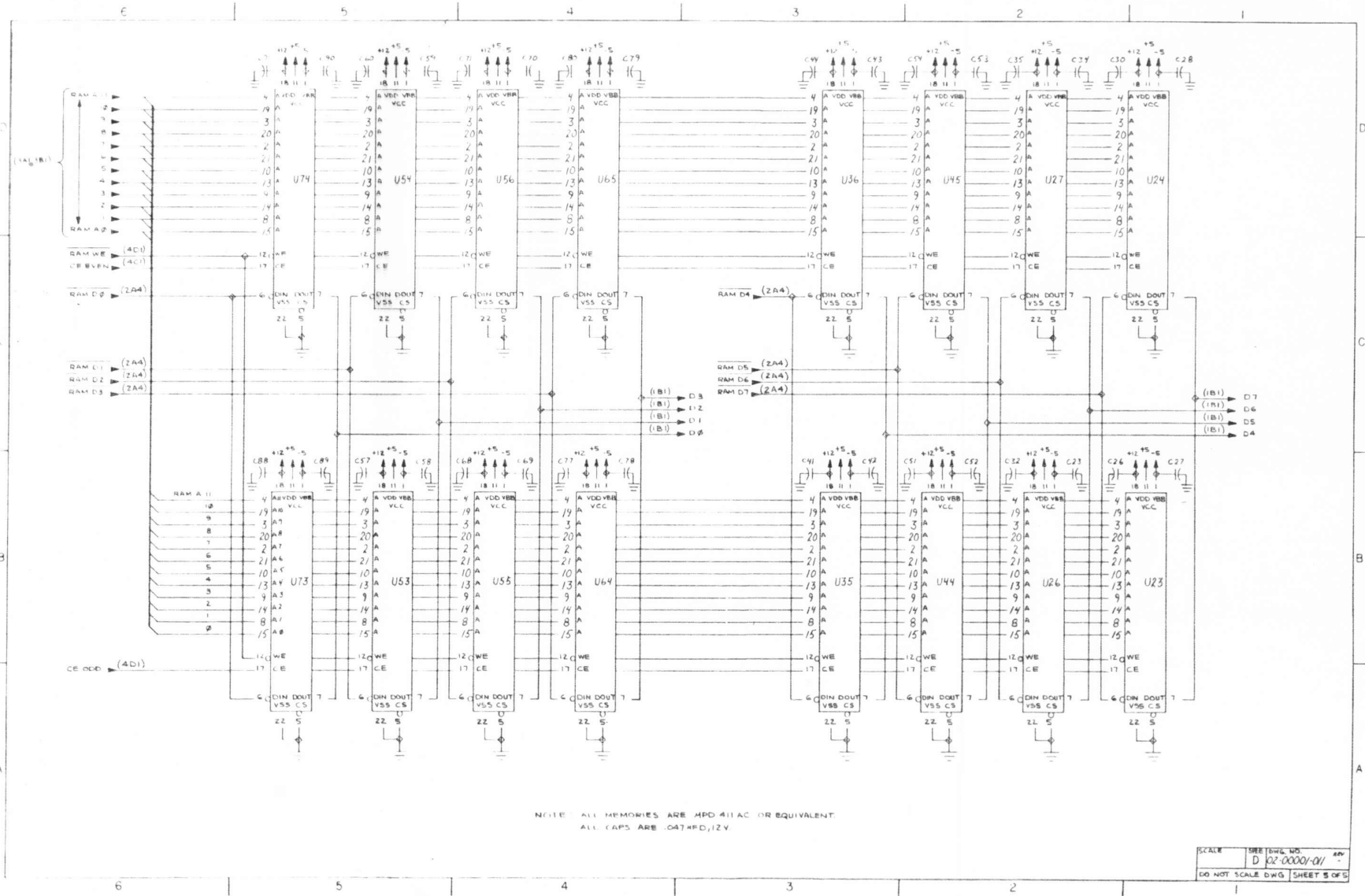
REV	DESCRIPTION	DATE	APPROVED
1			
2			
3			
4			
5			
6			
7			
8			
9			
10			
11			
12			
13			
14			
15			
16			
17			
18			
19			
20			
21			
22			
23			
24			
25			
26			
27			
28			
29			
30			
31			
32			
33			
34			
35			
36			
37			
38			
39			
40			
41			
42			
43			
44			
45			
46			
47			
48			
49			
50			
51			
52			
53			
54			
55			
56			
57			
58			
59			
60			
61			
62			
63			
64			
65			
66			
67			
68			
69			
70			
71			
72			
73			
74			
75			
76			
77			
78			
79			
80			
81			
82			
83			
84			
85			
86			
87			
88			
89			
90			
91			
92			
93			
94			
95			
96			
97			
98			
99			
100			

SCALE: 1:1
 DATE: 02-0000-011
 DO NOT SCALE DIMS SHEET 3 OF 5



SCALE: 1:1
 SHEET NO: 001
 D 02-00001-01
 DO NOT SCALE DWG. SHEET 4 OF 5

32



NOTE ALL MEMORIES ARE MPD 411AC OR EQUIVALENT
ALL CAPS ARE C47HFD,12V

SCALE SHEET NO. D 102-00001-01
DO NOT SCALE DWG SHEET 5 OF 5