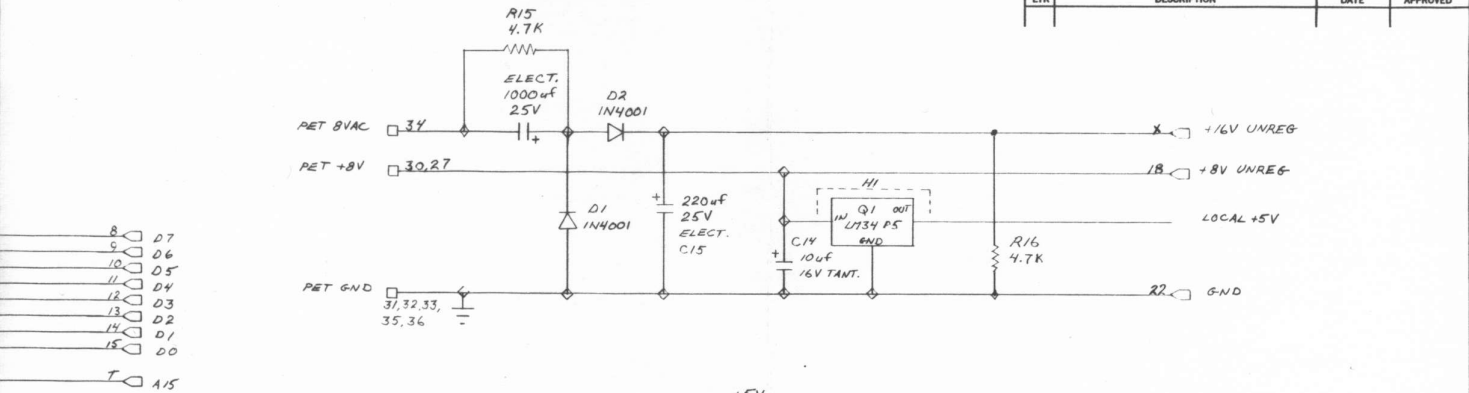


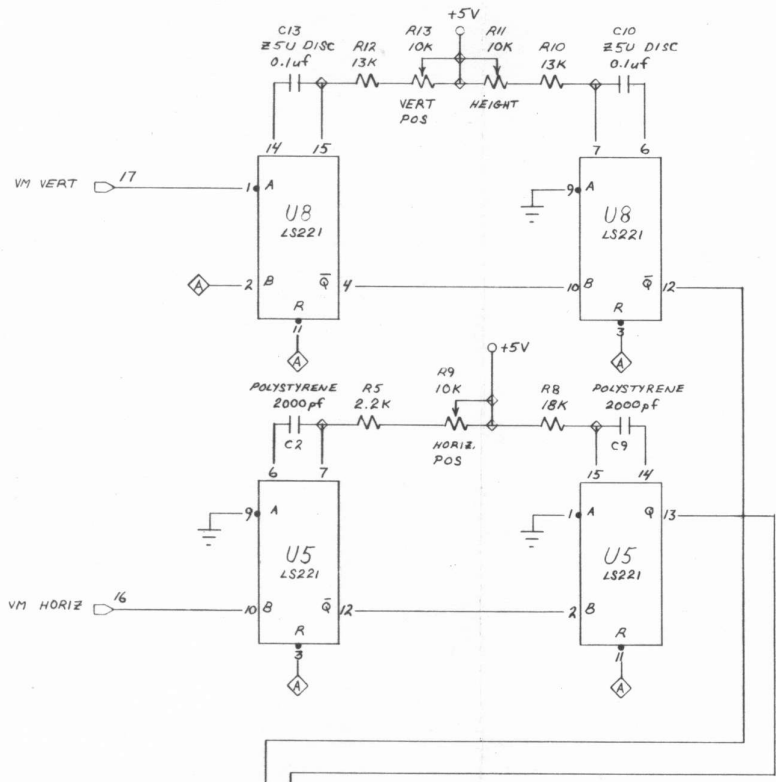
REVISIONS			
LTR	DESCRIPTION	DATE	APPROVED



- 8 D7
- 9 D6
- 10 D5
- 11 D4
- 12 D3
- 13 D2
- 14 D1
- 15 D0
- T A15

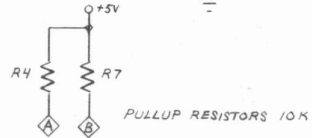
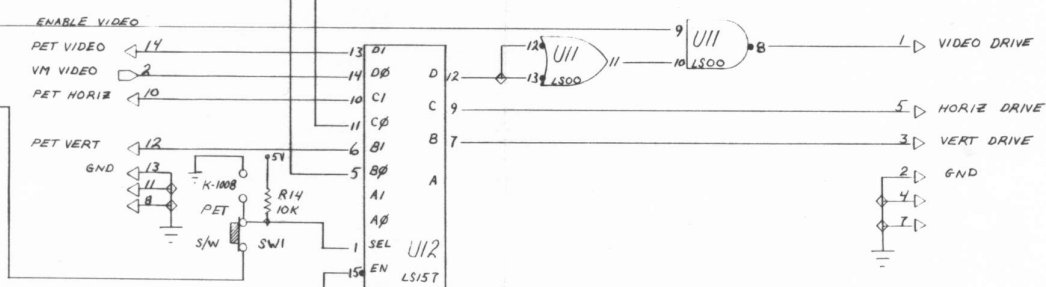
- S A14
- R A13
- P A12

- N A11
- M A10
- L A9
- K A8
- J A7
- H A6
- F A5
- E A4
- D A3
- C A2
- B A1
- A A0



- 1 ELECT. 100uF 16V

- R6 470
- U3 LS13
- 100uF 16V ELECT. C5
- RESET
- RAM R/W
- PHASE 2
- PHASE 2
- READ/WRITE
- READ/WRITE
- IRQ



- NOTES: 1. □ IS RIBBON CABLE WIRE.
4. ALL RESISTORS 1/4W 5%
 3. □ IS VIDEO SOCKET
 2. □ IS EDGE FINGERS.

TOLERANCES UNLESS OTHERWISE SPECIFIED		MICRO TECHNOLOGY UNLIMITED	
FRACTIONS	DEC	ANGLES	
±	±	±	
APPROVALS	DATE	PET TO MTU INTERFACE	
DRAWN DBC	2 22 79	K-100T-1	
CHECKED		SCALE	SIZE
			D
		DO NOT SCALE DRAWING	DRAWING NO. 02-00000-005
			SHEET 1/1