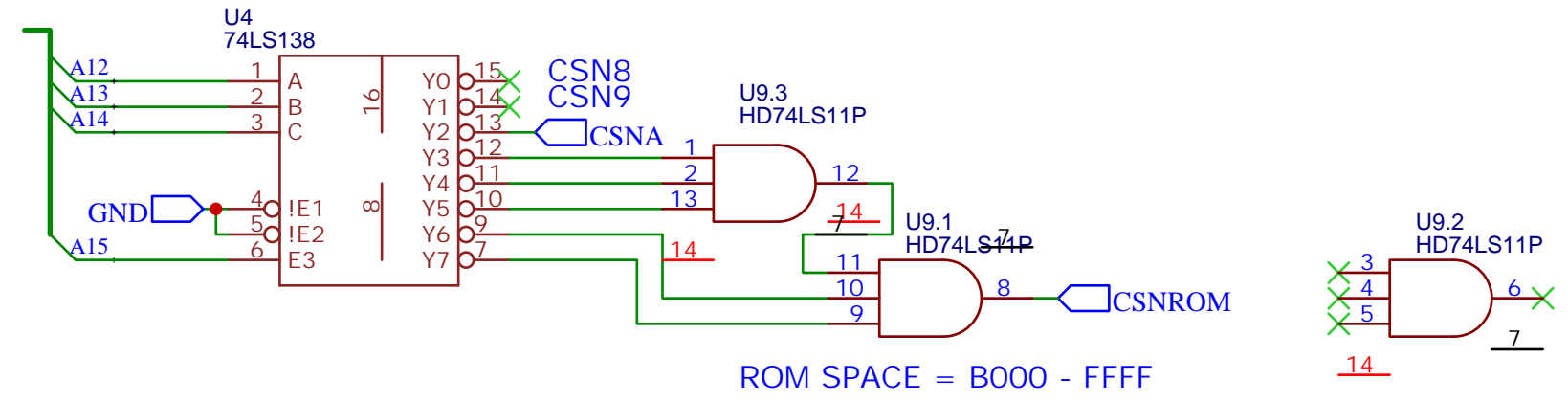


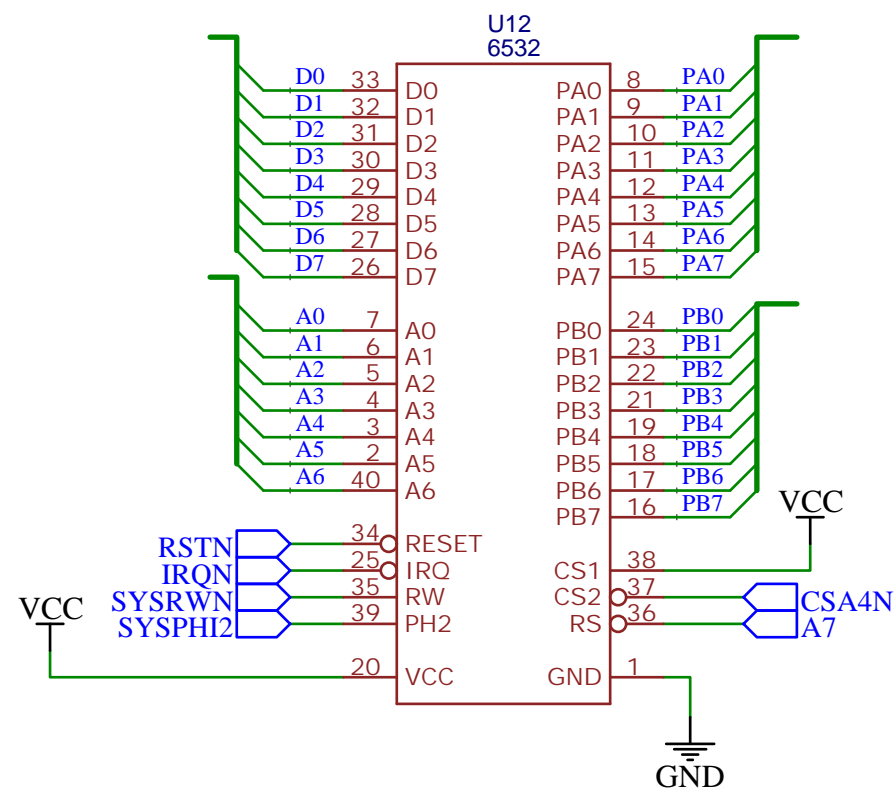
Address Map

- 0000 - 1FFF = RAMCS
- 2000 - 7FFF = Not used
- 8000 - 8FFF = CSN8 Video expansion
- 9000 - 9FFF = CSN9 Video expansion
- A000 - A0FF = CSA0N Reserved for VIA J1 App
- A400 - A4FF = CSA4N Reserved for RIOT KBD
- A800 - A8FF = CSA8N Reserved for VIA RS232
- AC00 - ACFF = CSACN Reserved for PIA Display
- B000 - FFFF = ROMCS

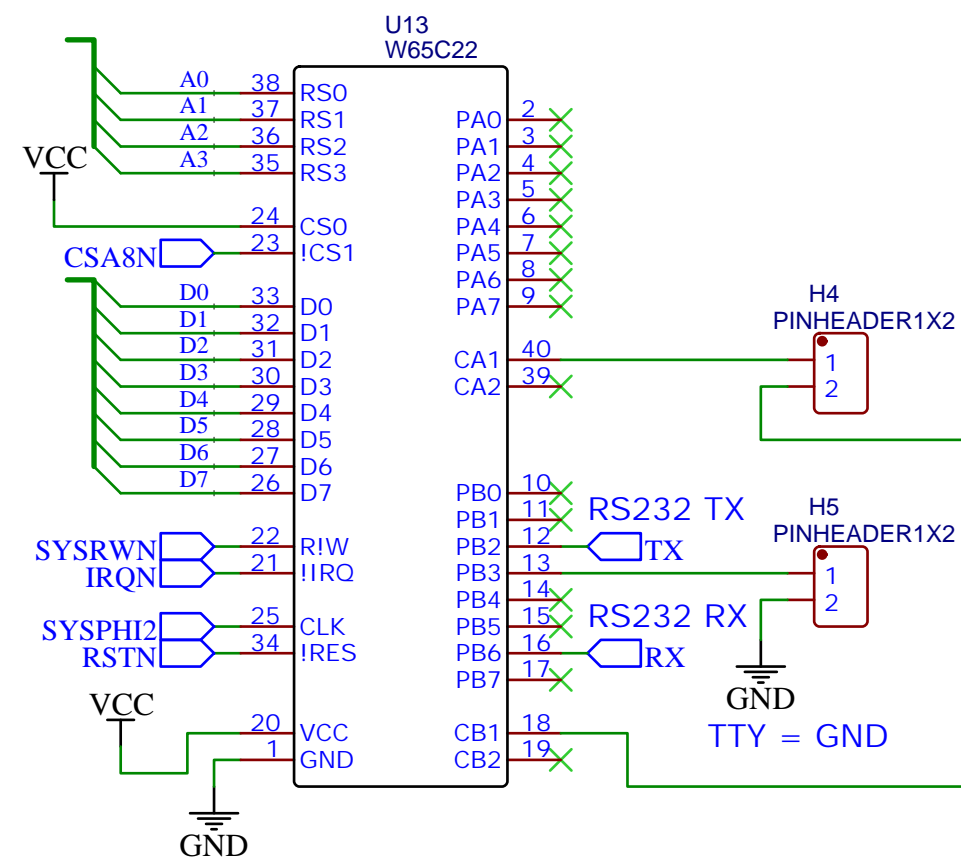


ROM SPACE = B000 - FFFF

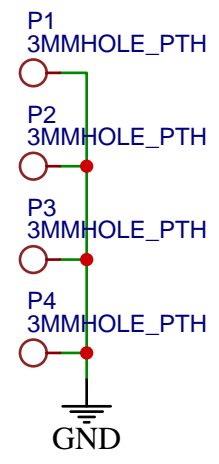
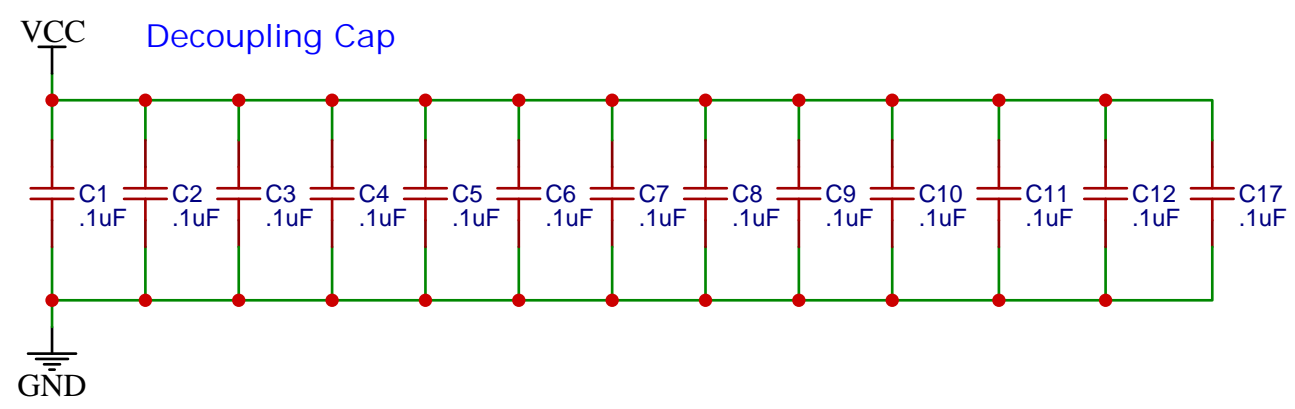
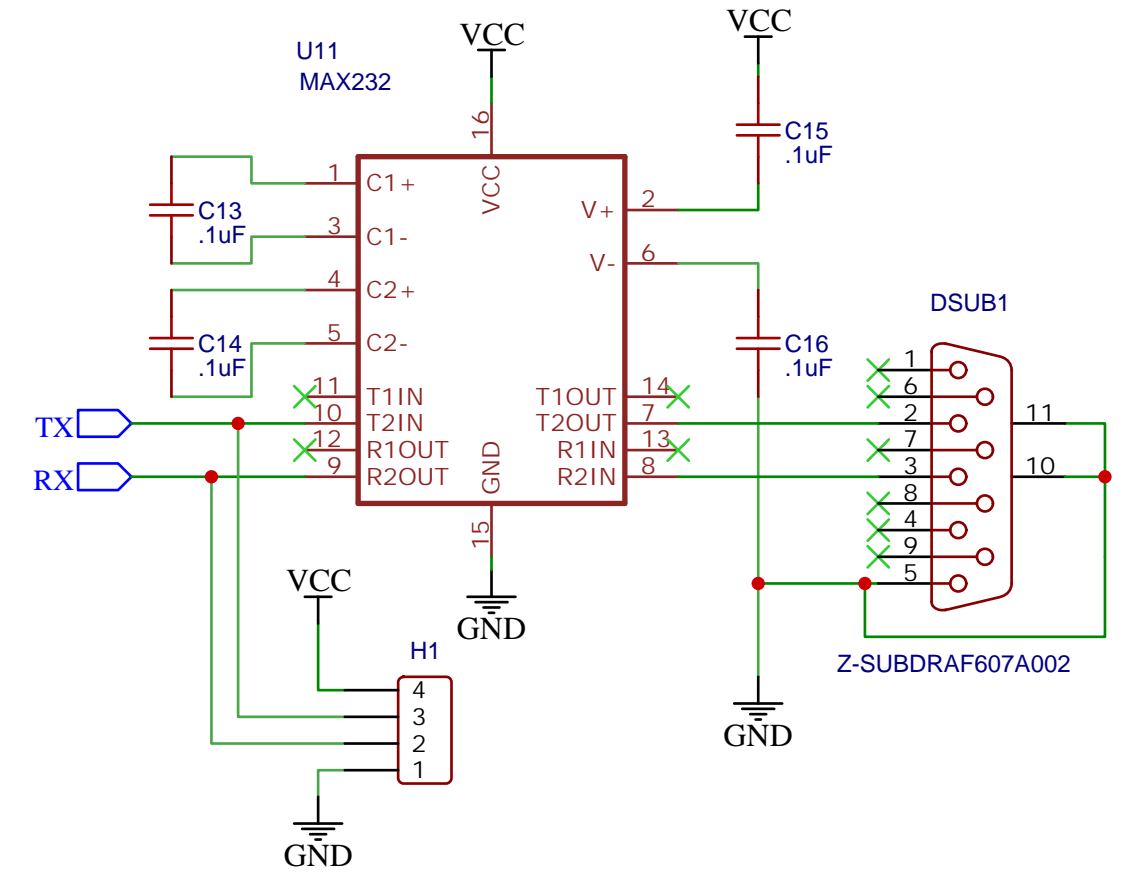
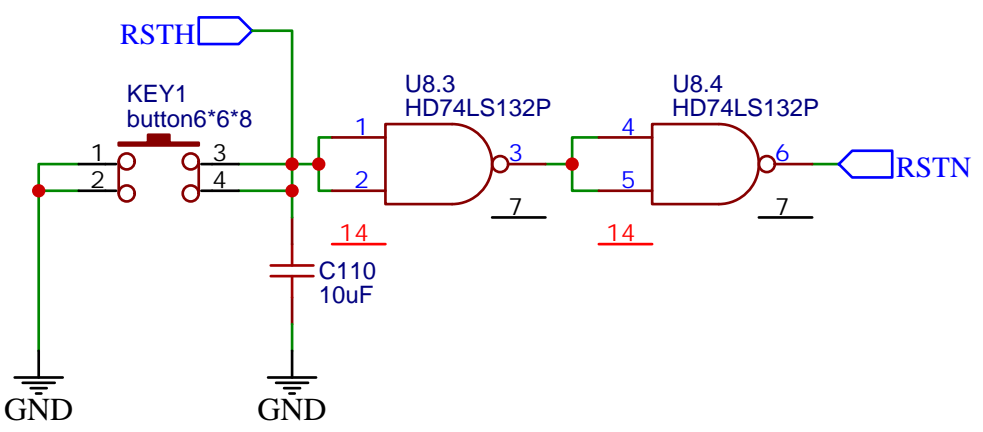
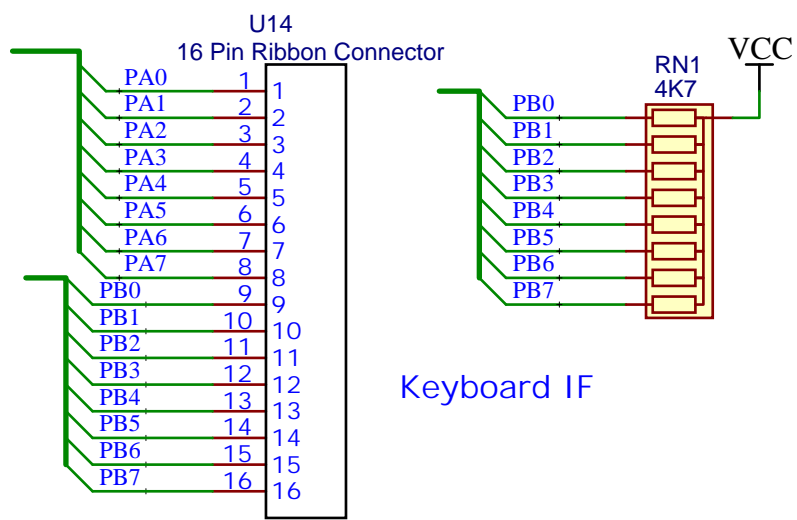
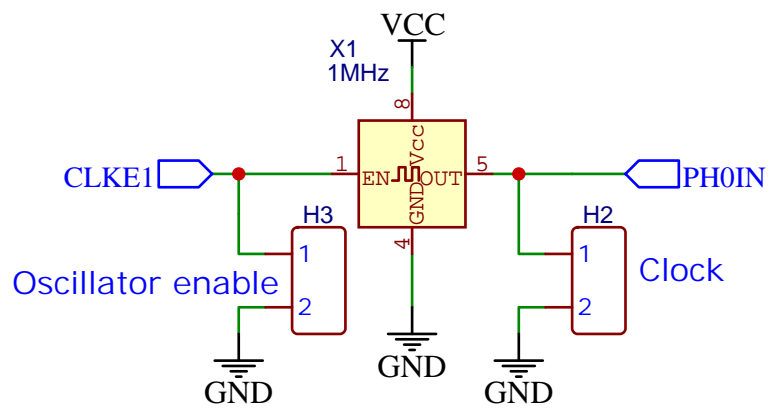
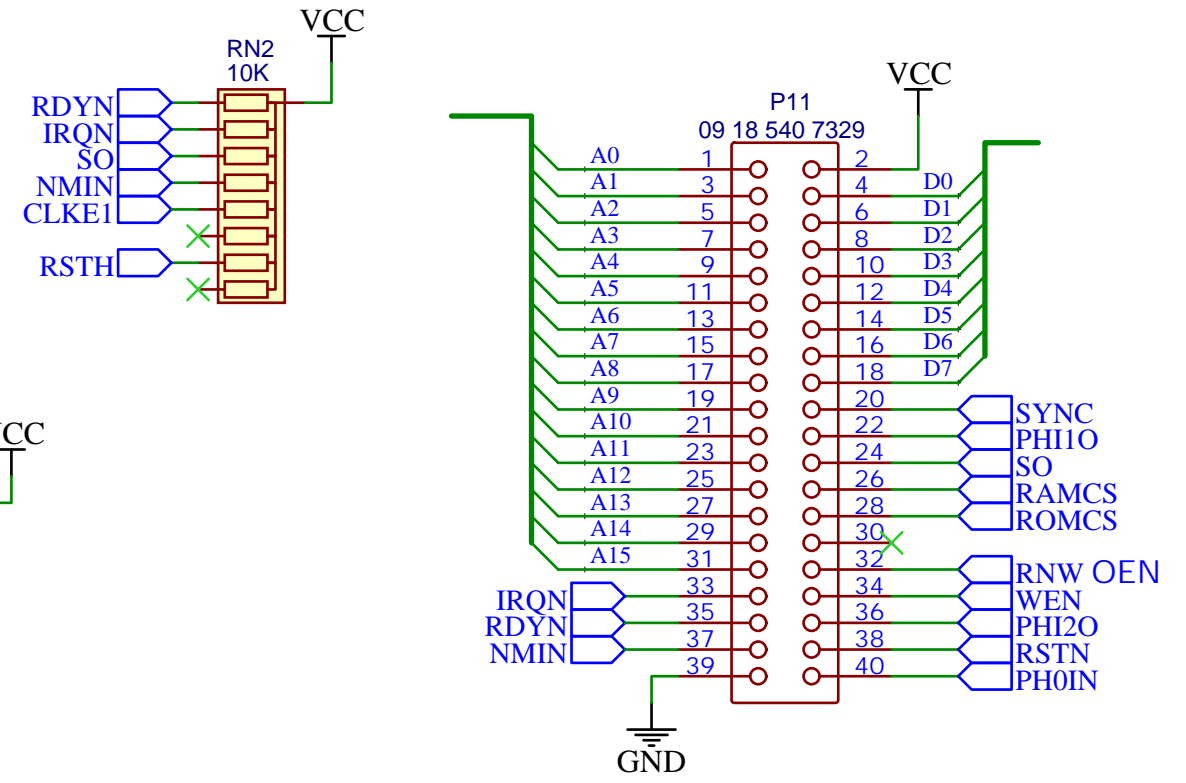
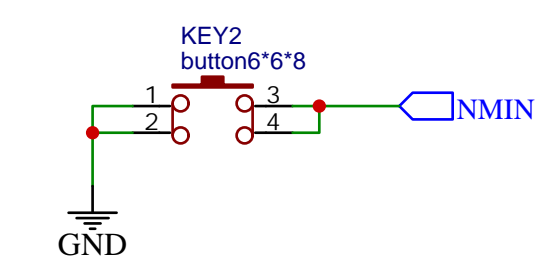
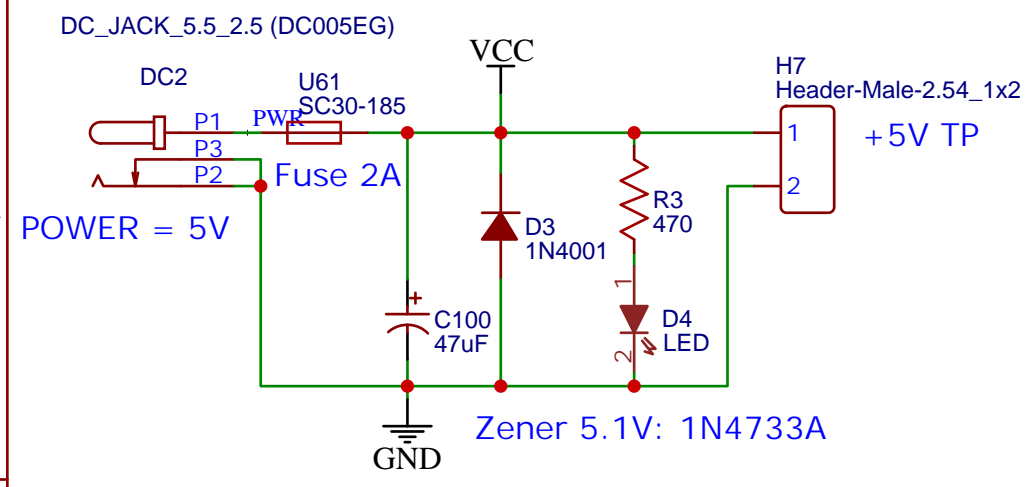
TITLE: AIM-65 Micro V2: CPU		REV: 1.0
EasyEDA	Company: Peter Renaud	Sheet: 1/3
	Date: 2022-03-31	Drawn By: peter_renaud



A400 - A47F = CSA4N RIOT RAM  
 A480 - A4FF = CSA4N RIOT CNTR



TITLE: AIM-65 Micro V2: KBD TTY		REV: 1.0
EasyEDA	Company: Peter Renaud	Sheet: 2/3
	Date: 2022-03-31	Drawn By: peter_renaud



TITLE: AIM-65 Micro V2: I/O		REV: 1.0
EasyEDA	Company: Biff Inc.	Sheet: 3/3
	Date: 2022-03-31	Drawn By: peter_renaud