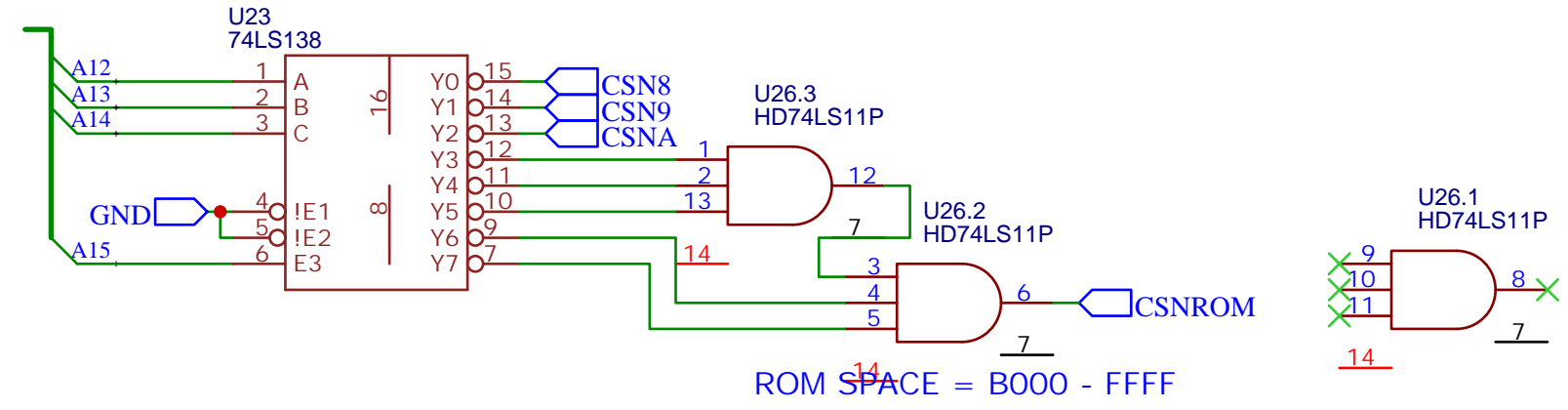


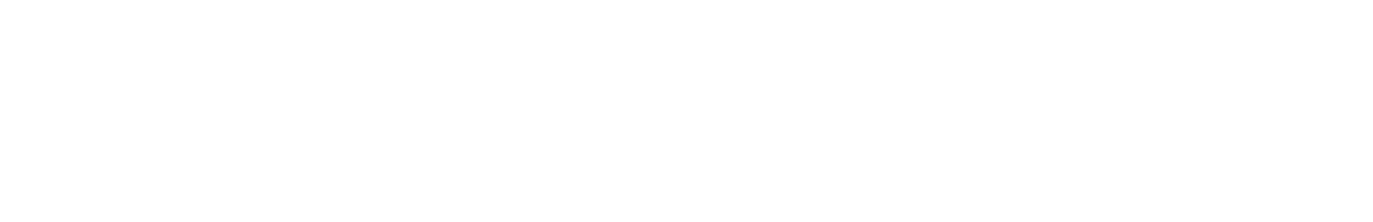
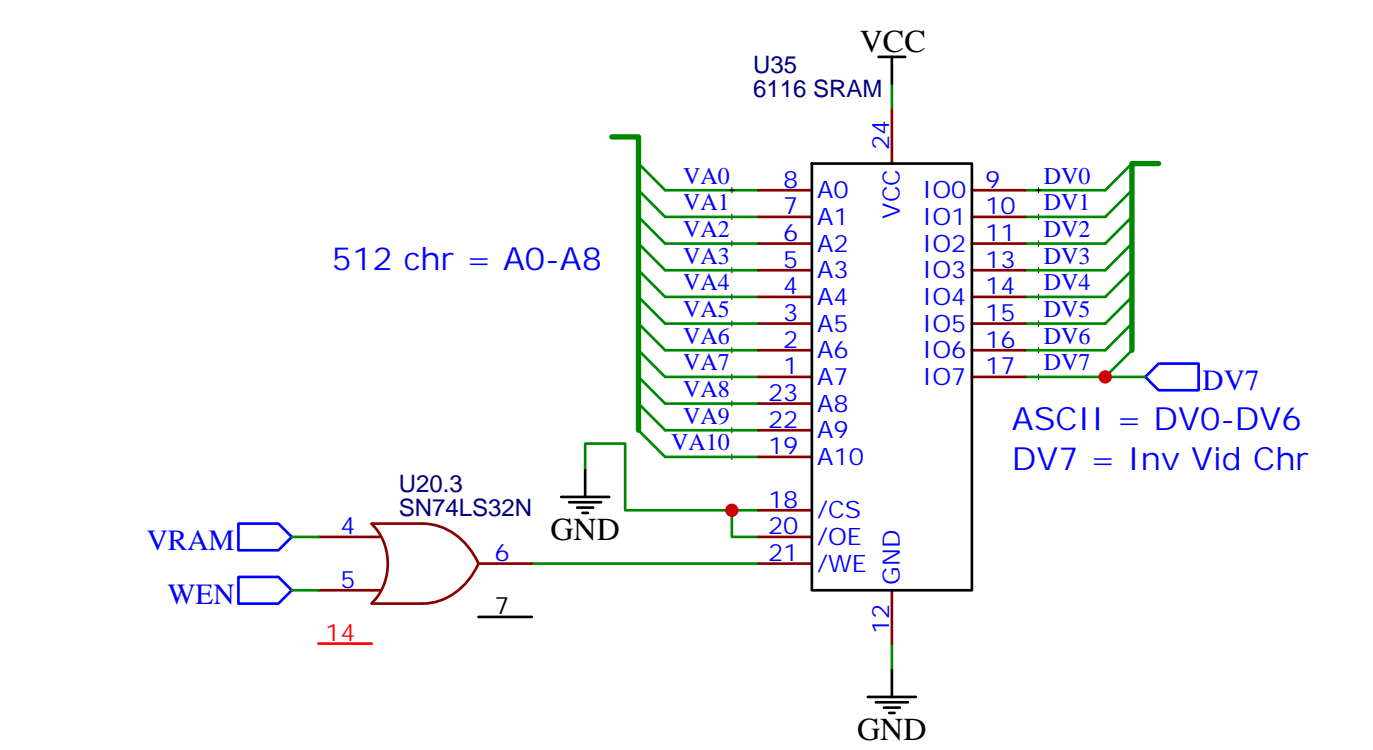
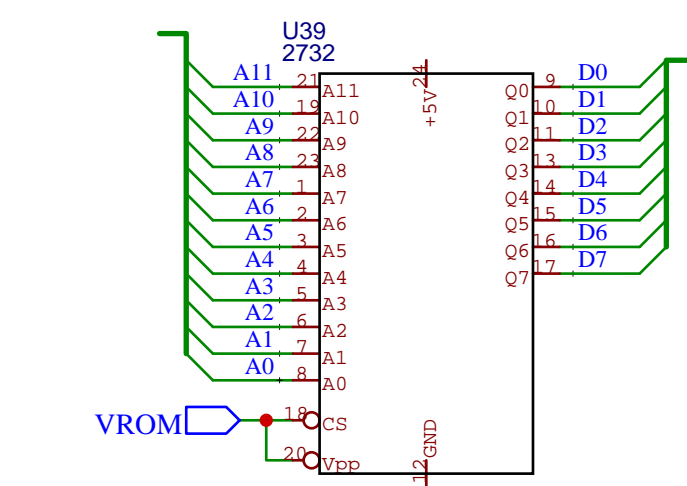
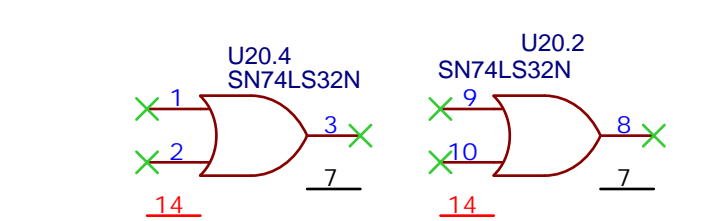
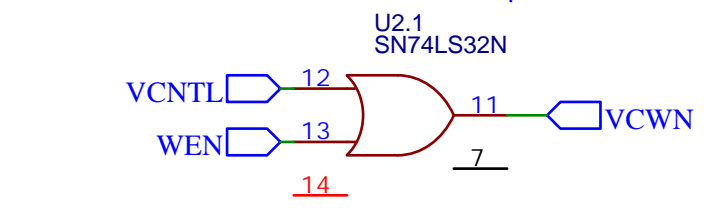
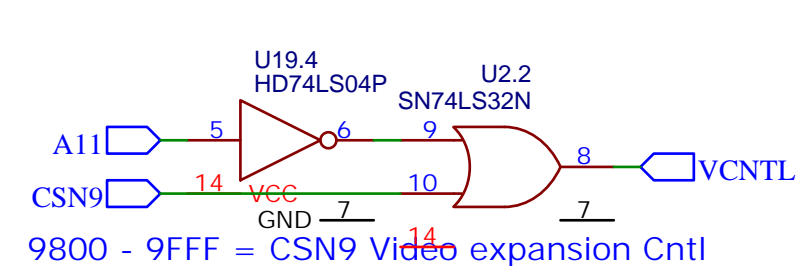
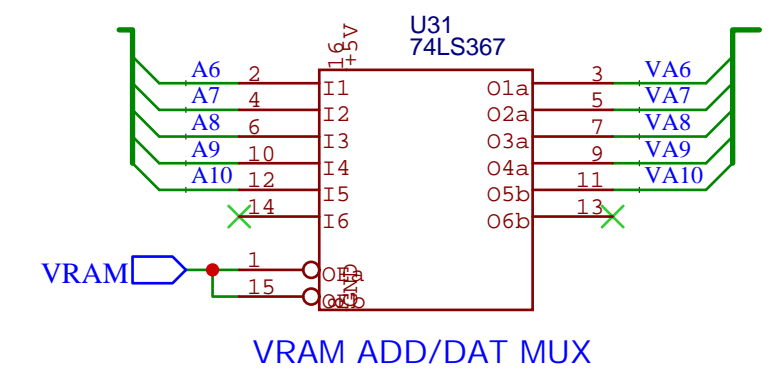
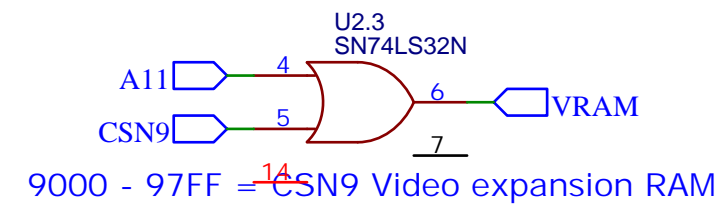
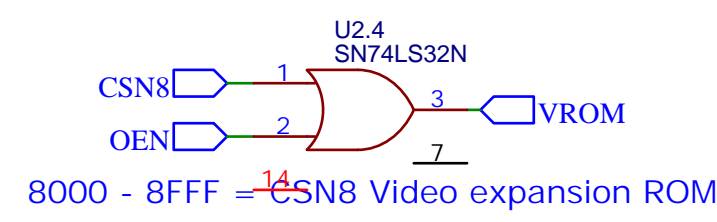
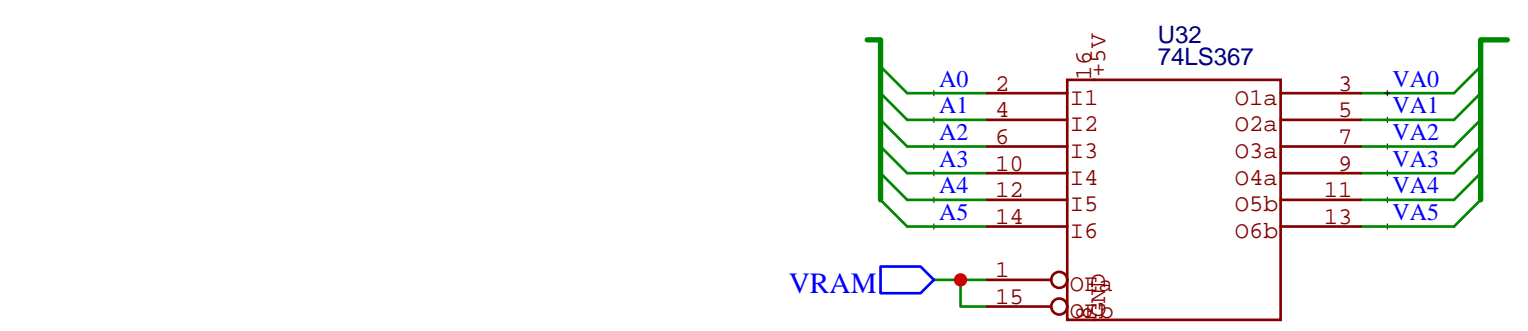
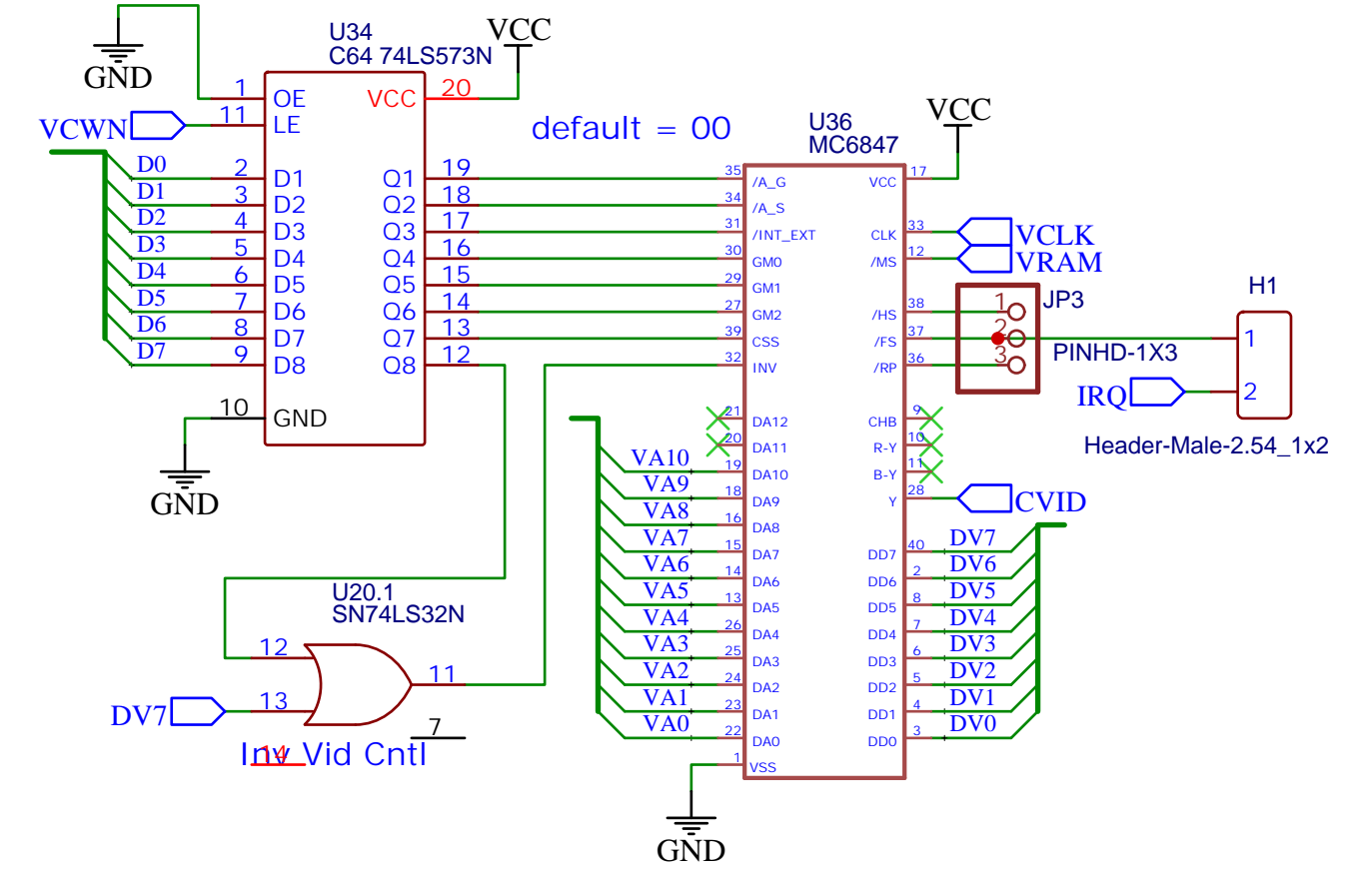
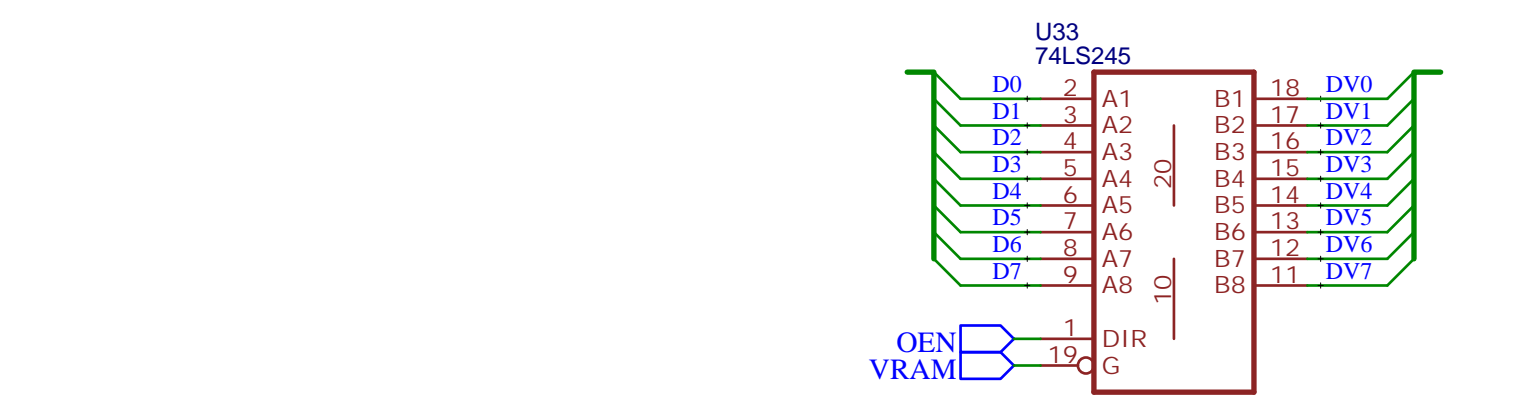
Address Map

- 0000 - 1FFF = RAMCS
- 2000 - 7FFF = Not used
- 8000 - 8FFF = CSN8 Video expansion
- 9000 - 9FFF = CSN9 Video expansion
- A000 - A1FF = CSA0N Reserved for VIA J1 App
- A400 - A5FF = CSA4N Reserved for RIOT KBD
- A800 - A9FF = CSA8N Reserved for VIA RS232
- AC00 - ADFF = CSACN Reserved for PIA Display
- B000 - FFFF = ROMCS



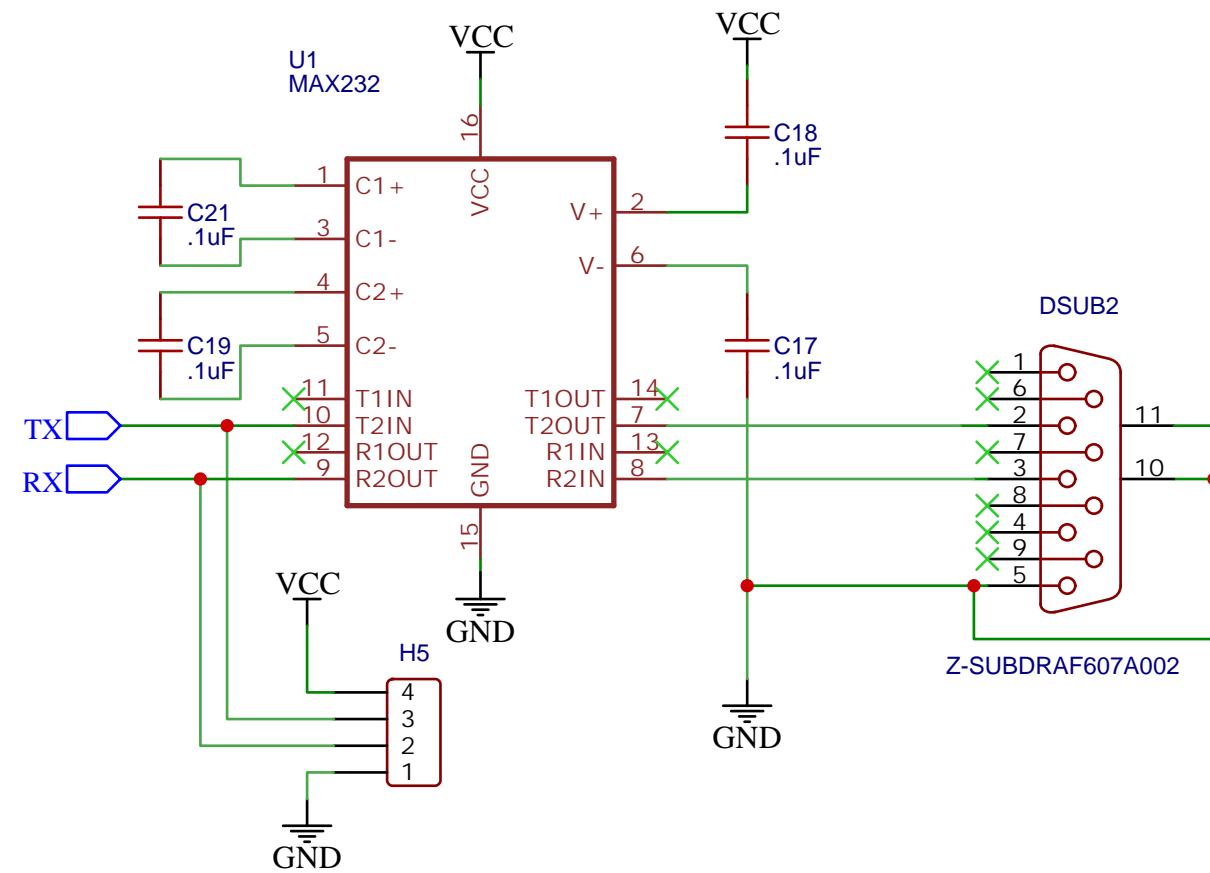
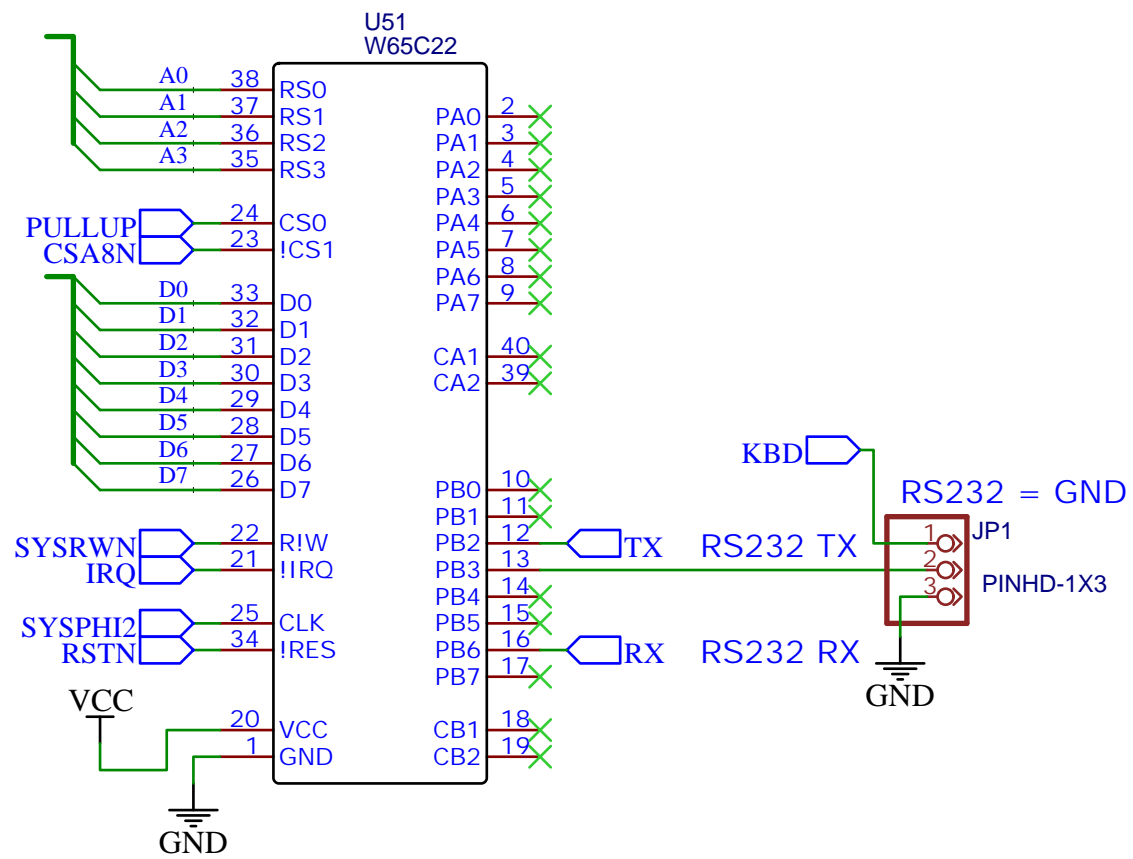
ROM SPACE = B000 - FFFF

| | | |
|---------------|-----------------------|------------------------|
| TITLE: AIM-65 | | REV: 1.0 |
| EasyEDA | Company: Peter Renaud | Sheet: 1/1 |
| | Date: 2022-03-01 | Drawn By: peter_renaud |

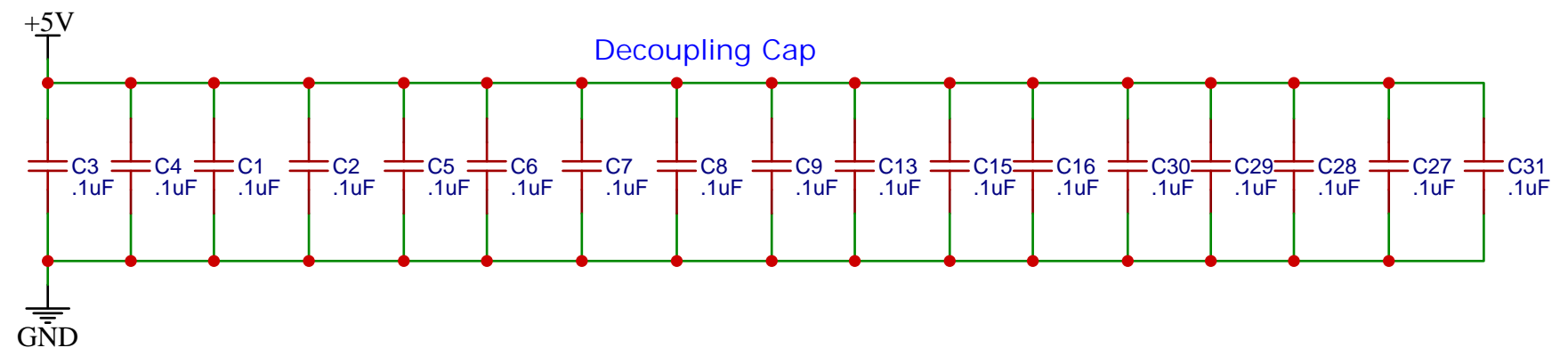
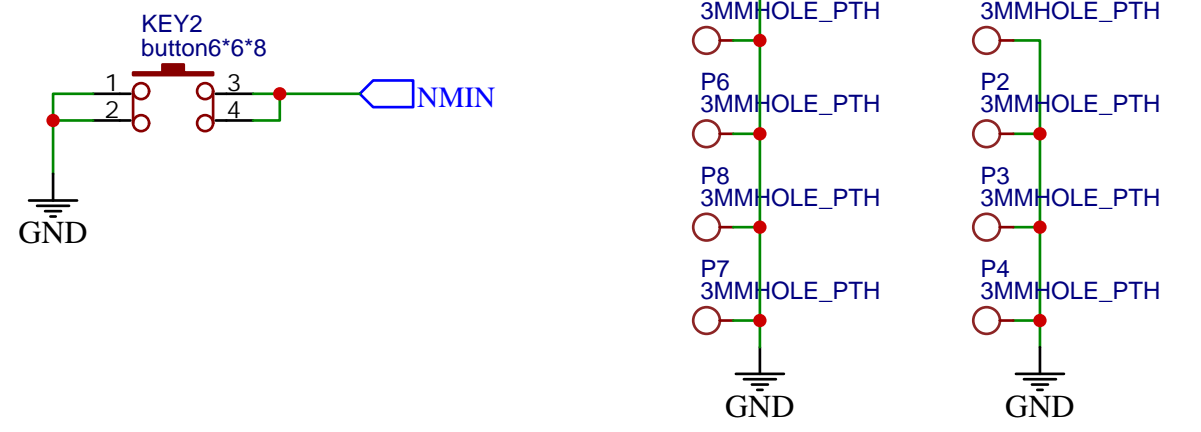
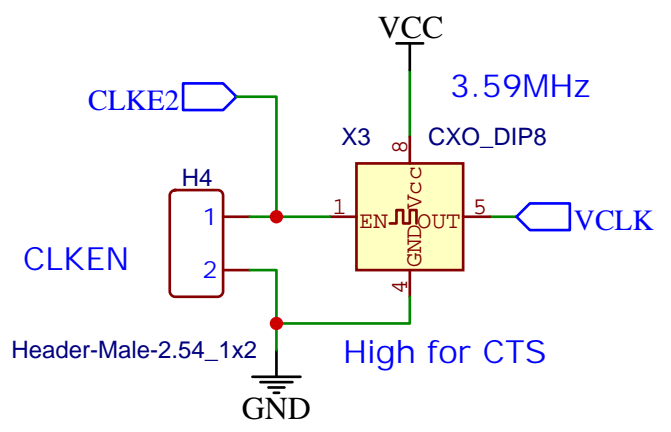
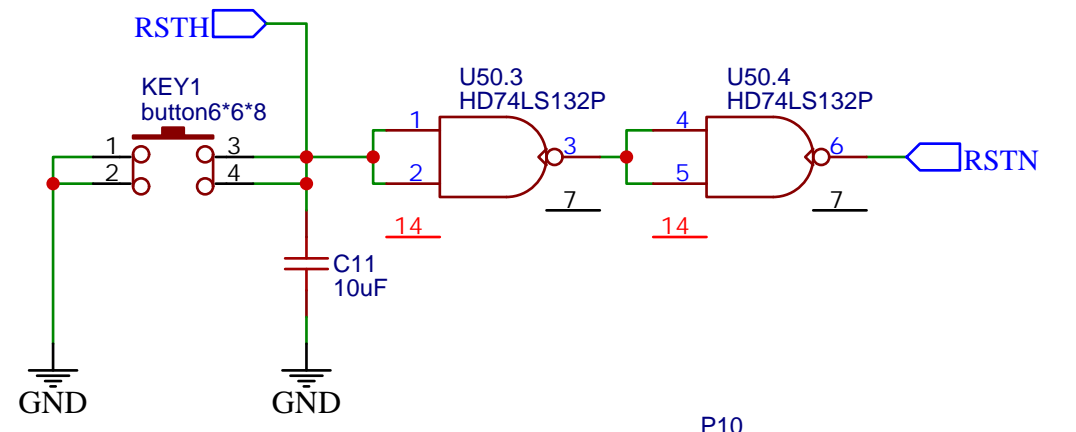
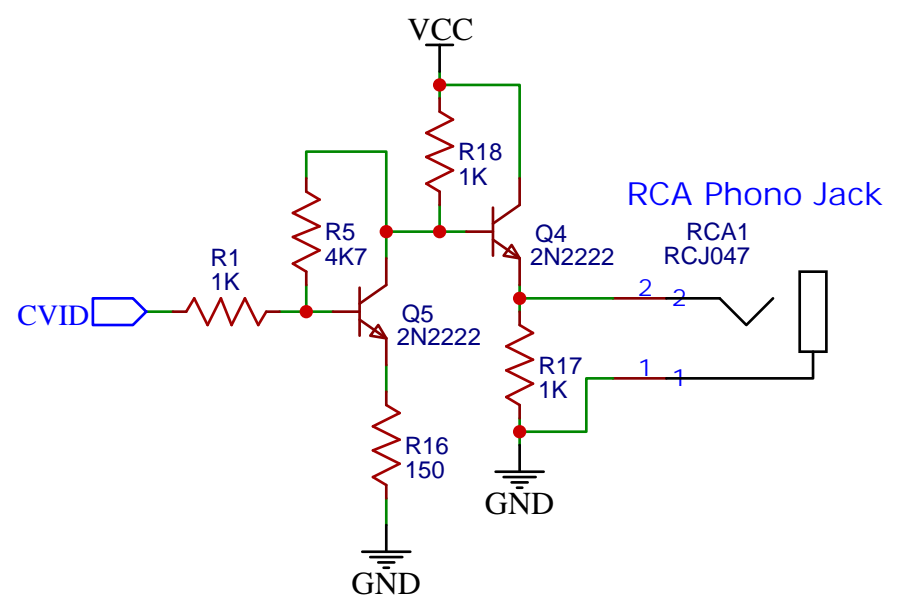
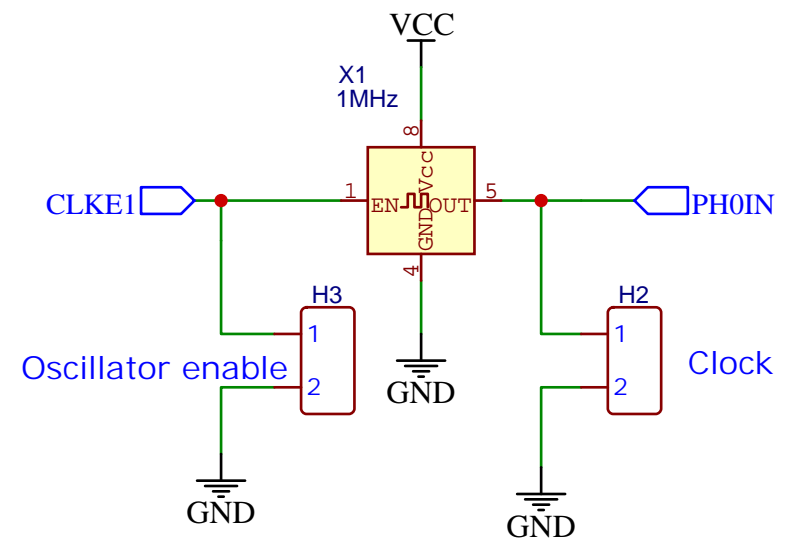
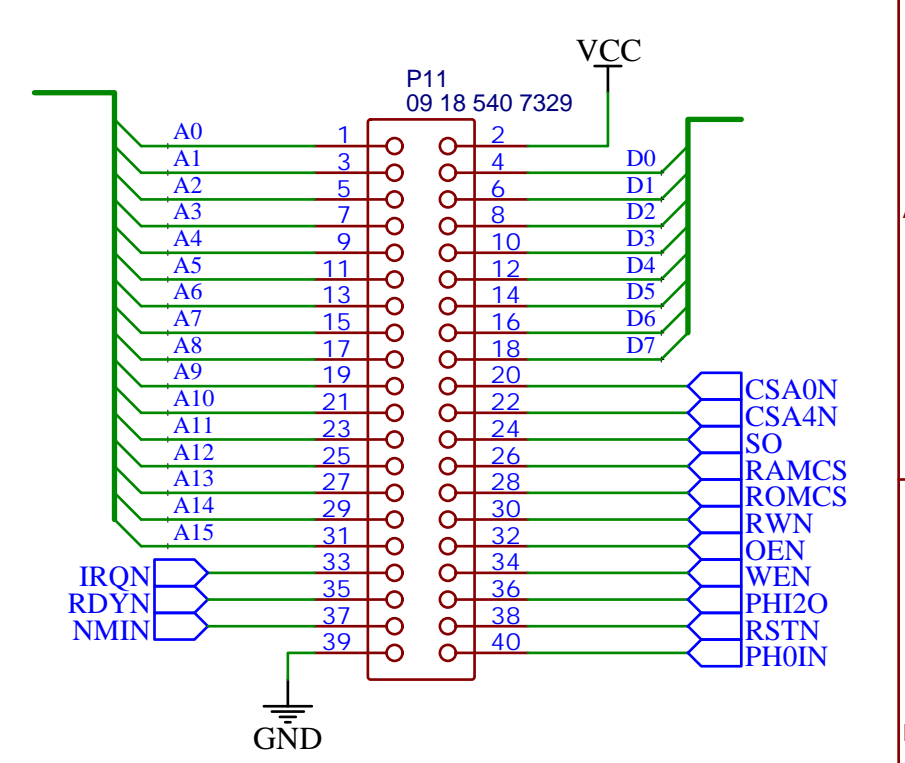
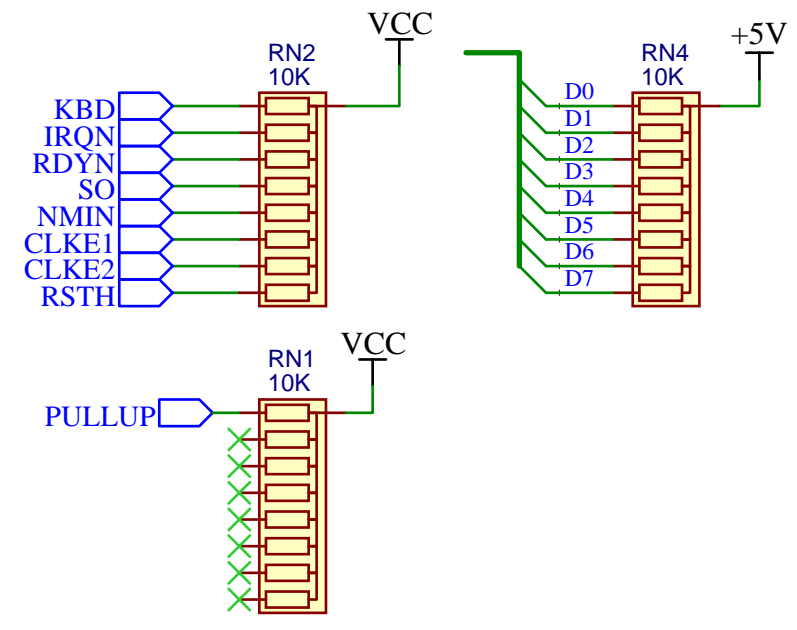
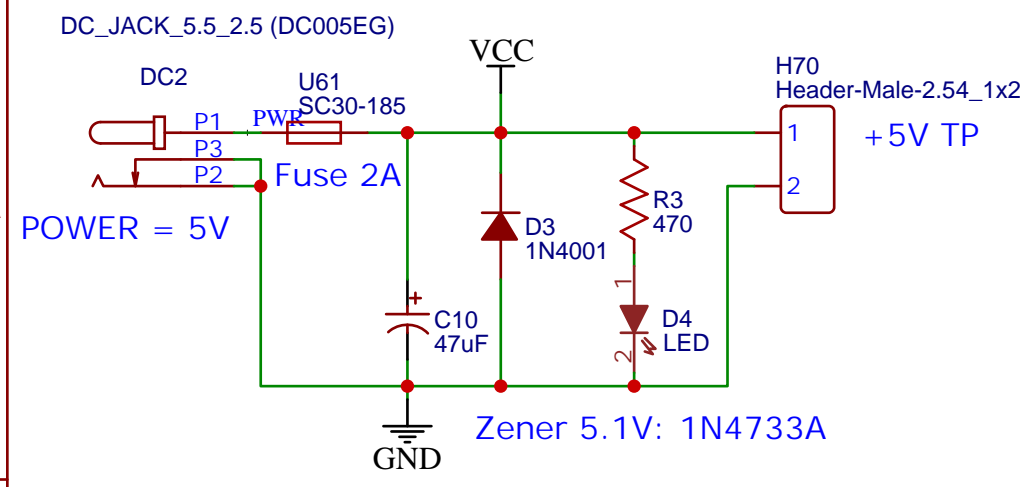


| | | |
|---------------------|--|------------------------|
| TITLE: AIM-65 Video | | REV: 1.0 |
| Company: Biff Inc. | | Sheet: 1/1 |
| Date: 2022-03-02 | | Drawn By: peter_renaud |





| | | |
|---------------------|--------------------|------------------------|
| TITLE: AIM-65 RS232 | | REV: 1.0 |
| EasyEDA | Company: Biff Inc. | Sheet: 1/1 |
| | Date: 2022-03-02 | Drawn By: peter_renaud |



| | | |
|-------------------|--------------------|------------------------|
| TITLE: AIM-65 I/O | | REV: 1.0 |
| EasyEDA | Company: Biff Inc. | Sheet: 1/1 |
| | Date: 2022-03-01 | Drawn By: peter_renaud |