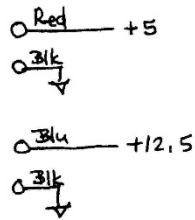
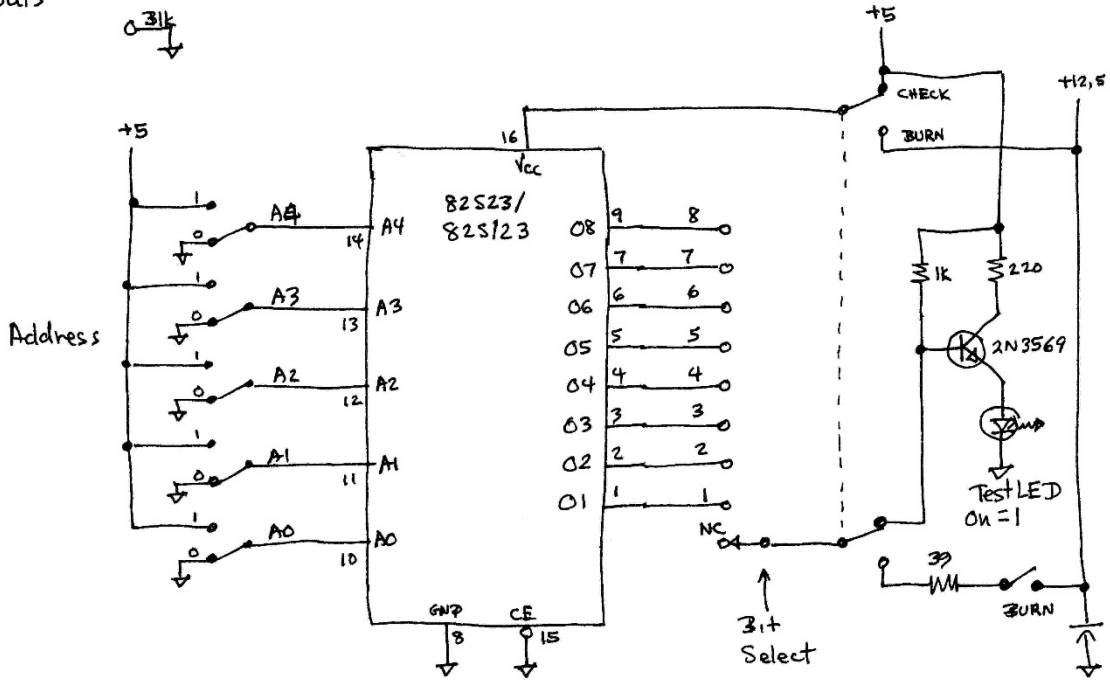
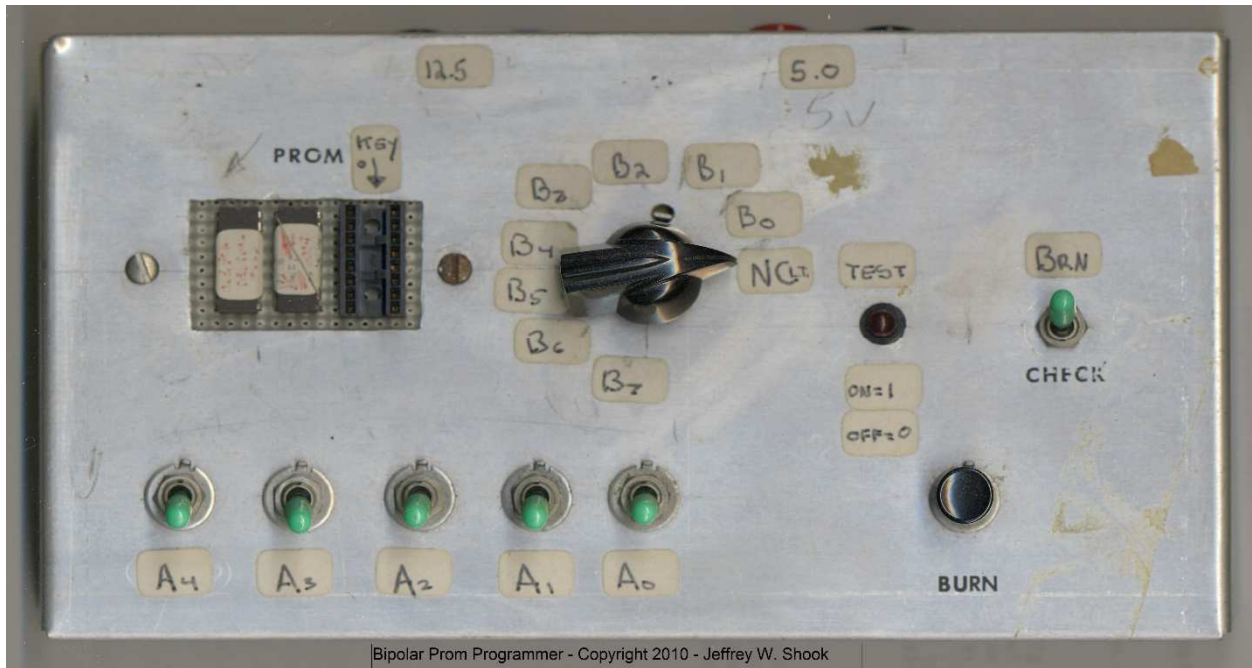


Power
Inputs

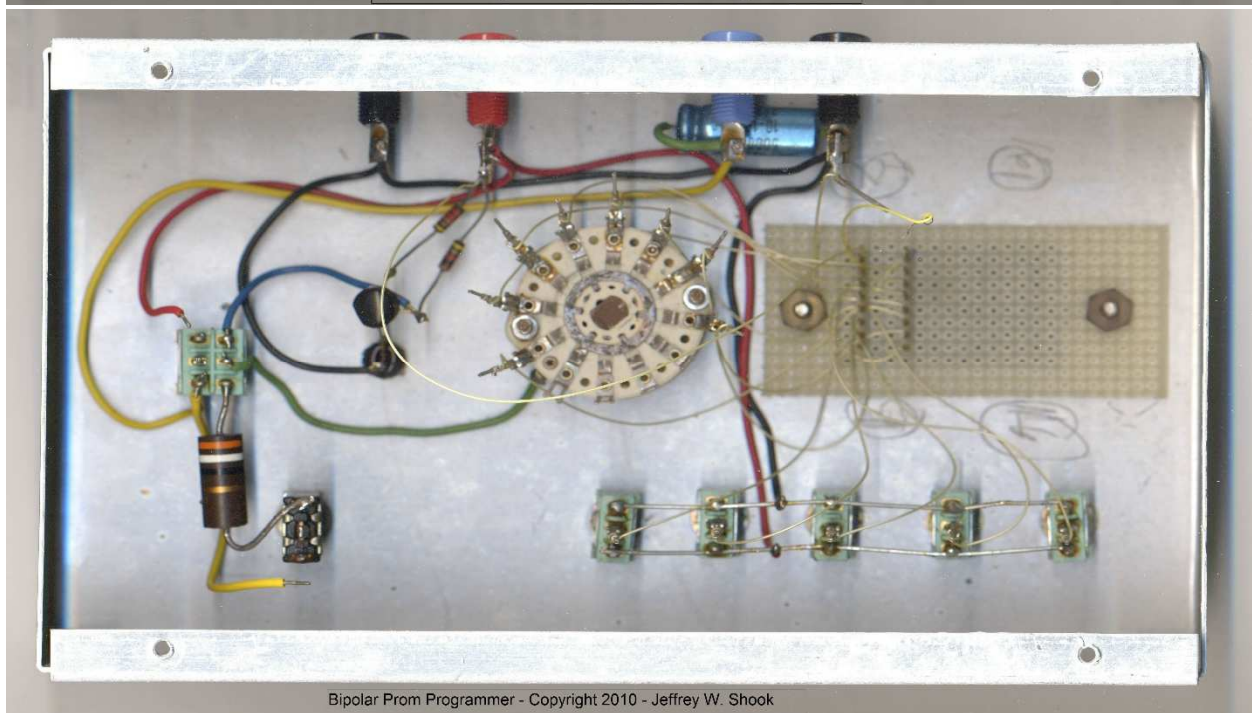


Programmer for Bipolar 256 Bit PROM
with fusible links - by J.W. Shook Sept 2003
Drawn from programmer built in late 1970's or early 80's.





Bipolar Prom Programmer - Copyright 2010 - Jeffrey W. Shook



Bipolar Prom Programmer - Copyright 2010 - Jeffrey W. Shook