

# 6809 Microprocessor Kit

Wichit Sirichote, wichit.sirichote@gmail.com

Build a microcomputer training kit with the Motorola 6809 CPU. [Updated monitor version3](#), [User Manual and Programming book](#)!

I got suggestion from Didier to design the trainer kit with 6809 or 6309 microprocessor. So I spent my free time design this kit. The kit uses Motorola 68B09 as the CPU. I added the UART chip, 6850 ACIA. The circuit is simple and use small number of components. All decoder logics are placed in PLD chip. This makes the circuit is very easy to build. I found cc09 c compiler for 6809. The monitor was developed using c and assembly code. The main clock frequency is 4.9152MHz. UART chip uses E clock, 4.9152MHz/4 as the TXD/RXD clock. The prescaler is 64, so the UART will produce 19,200 bit/s rate. The 6809 has long branch using 16 bit offset. One of the monitor key provides 16-bit HEX calculator. Students can use it for finding the 8-bit or 16-bit offset. For low level coding, we can use hex key to enter and test the program. For c programming, we can use UART for S19 file downloading easily.

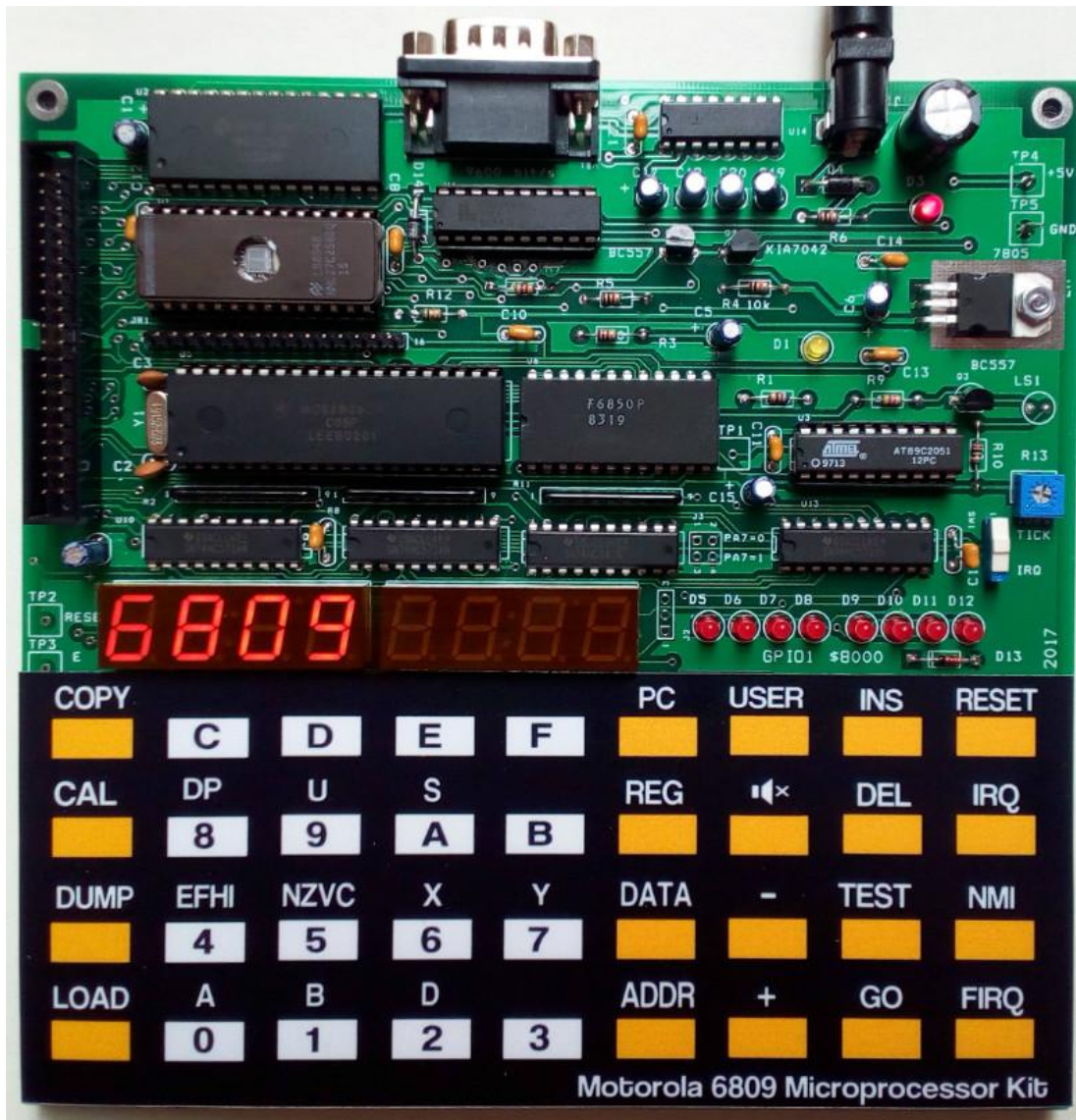


Figure 1: Motorola 6809 Microprocessor kit 2017

## Hardware descriptions:

U5 is the Motorola 68B09 CPU. The 4.9152MHz is generated by onchip oscillator with internal frequency 1.228MHz for CPU operations. NMI, HALT, IRQ, FIRQ are pull-up to logic 1 with R2. Only E and R/W and A0,A1, A10-A15 are used for memory decoding.

U1 is 32kB EPROM, 27C256. The address space for EPROM is decoded at 0xC000-0xFFFF.

U2 is 32kB static RAM, 62256. The RAM space is located at 0x0000-0x7FFF. Zero page is located at 0x0000-0x00FF. User program can be tested from address 0x0200.

U4, memory and I/O spaces decoder chip is made with GAL16V8D. It provides chip selected signals for memory and I/O chips.

U3, the 20-pin 89C2051 microcontroller chip produces 10ms tick. SW1 selects between 10ms tick or manual IRQ button.

U6 is 6850 ACIA, UART. The shift clock is derived from E clock, 1228800Hz. Internal prescaler is 64. Thus the bit rate will be 19200 bit/s.

U12, 74HC541 is 8-bit input port (PORT0). Six bits, PA0-PA5 are input signals of the row keypad.

U10, 74HC573 is 8-bit output port (PORT2). The 8-bit output drives the 7-segment LED directly. No current limit resistor. U11 (PORT1) drives 6-digit common cathode pin. The brightness is controlled by software controlled PWM. PC7 is speaker output for beep signal.

U13, 74HC573 is 8-bit output port for 8-bit binary number display. D13 lifts the forward biasing for proper brightness. JR1 is 16-pin socket for text LCD interface. U14, HIN232 converts TTL level to RS232 level.

Q2, KIA7042 is reset chip for power brownout.

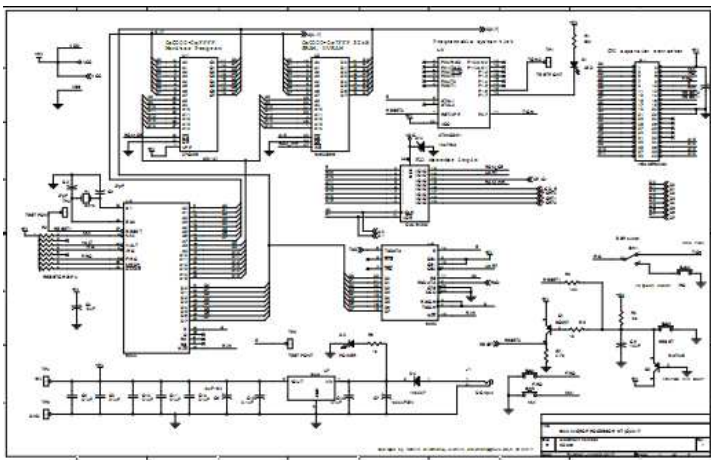


Figure 3: Hardware schematic (click to enlarge)

#### Hardware Features:

- CPU: Motorola 68B09, 8-bit Microprocessor @1.2288MHz clock
- Memory: 32kB RAM, 16kB EPROM
- Memory and I/O Decoder chip: Programmable Logic Device GAL16V8D
- Display: high brightness 6-digit 7-segment LED
- Keyboard: 36 keys
- RS232 port: 6850 ACIA 19200 bit/s 8n1
- Debugging LED: 8-bit GPIO1 LED at location \$8000
- Tick: 10ms tick produced by 89C2051 for time trigger experiment
- Text LCD interface: direct CPU bus interface text LCD
- Brownout reset: KIA7042 reset chip for power brownout reset
- Expansion header: 40-pin header

Monitor program was developed using c and assembly language. Source code was compiled with cc09, c compiler for 6809 CPU. The source code is available for customizing your own monitor.

#### The monitor program features:

- Simple hex code entering
- Insert and Delete byte
- User registers: A, B, X, Y, S, U, DP Condition code registers for storing CPU status after -program execution
- HEX calculator for offset calculation
- Copy block of memory
- Motorola s-record S19 downloading
- Memory dump
- Beep ON/OFF
- TEST 10ms

The monitor program will be updated and available for testing at the download links.

**Keyboard layout:** Making key layout sticker is simply done by printing the [SVG](#) file to sticker paper.

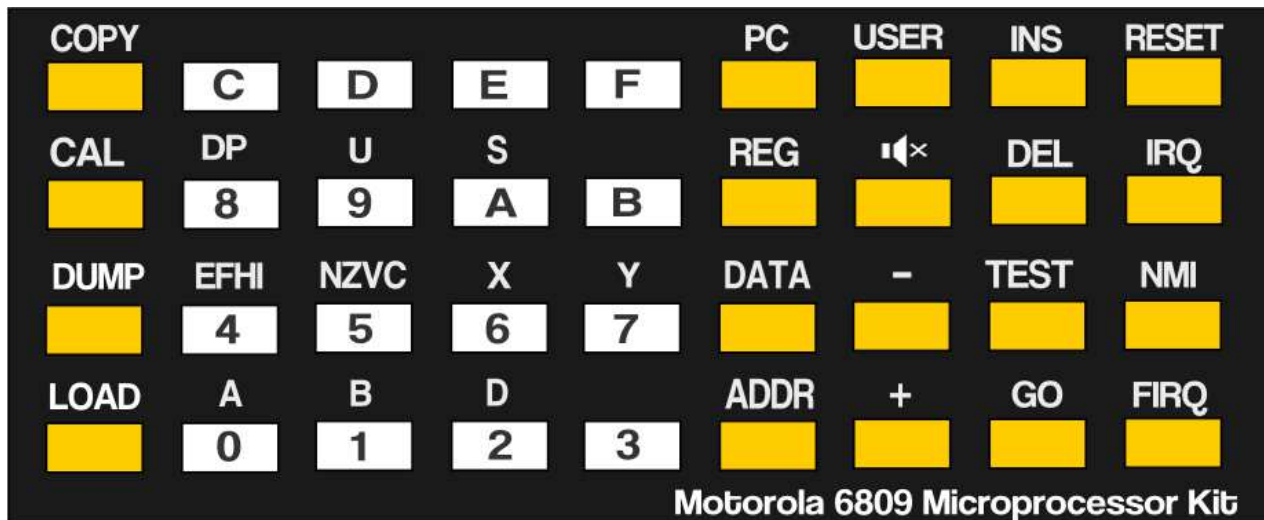


Figure 6: Keyboard layout.

Example of test code

```
1
2
3 0001 0200          ORG $200
4 0002
5 0003 0200 4C      LOOP INCA
6 0004 0201 B7 80 00 STA $8000
7 0005 0204 8D 02   BSR DELAY1
8 0006 0206 20 F8   BRA LOOP
9 0007
10 0008
11 0009 0208 8E 30 00 DELAY1 LDX #$3000
12 0010 020B 30 1F  DELAY  LEAX -1,X
13 0011 020D 26 FC   BNE DELAY
14 0012 020F 39     RTS
15 0013
16 0014             END
17 0015
```

Simple program that writes accumulator content to gpio1 LED at \$8000. It will show 8-bit binary counting!

Delay1 is small delay subroutine that uses X register. We can enter the hex code into memory and test run directly.

Can you change speed faster? how?

Another example of using 10ms tick generator for counting binary at 1Hz rate. Change SW1 to 10ms tick.

```

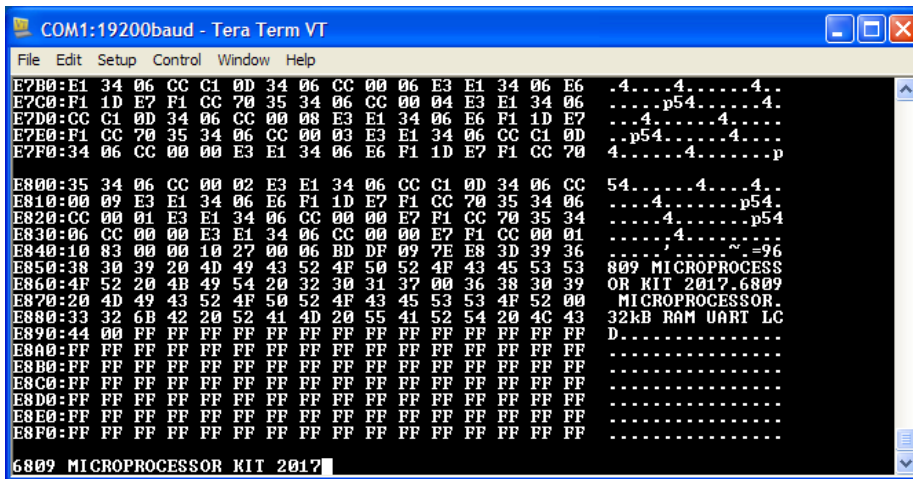
1 0001          * using 10ms tick
2 0002
3 0003 0200          org $200
4 0004
5 0005 0200 86 7e    main   lda #$7e    * insert jump serv_irq code
6 0006 0202 b7 7f f0      sta $7ff0
7 0007 0205 8e 60 00      ldx #serv_irq
8 0008 0208 bf 7f f1      stx $7ff1
9 0009
10 0010 020b 1c ef          andcc #%11101111
11 0011 020d 20 fe          bra *
12 0012
13 0013          * IRQ interrupt service routine
14 0014
15 0015 6000          org $6000
16 0016
17 0017 6000 0c 00      serv_irq inc 0
18 0018 6002 96 00      lda 0
19 0019
20 0020 6004 81 64      cmpa #100
21 0021 6006 26 09      bne skip
22 0022 6008 0f 00      clr 0
23 0023
24 0024 600a 0c 01      inc 1
25 0025 600c 96 01      lda 1
26 0026 600e b7 80 00      sta $8000
27 0027          skip
28 0028 6011 3b          rti
29 0029
30 0030          end
31 0031

```

The IRQ vector in ROM is pointed to new location in RAM at \$7FF0. Students can modify where to put IRQ service routine. Above example uses location \$6000 for IRQ service. The main code then inserts JMP to IRQ service instruction, 7E 60 00 to location 7FF0. Then clear I flag and wait for interrupt.

The IRQ service uses location 0 for tick counting. When it reaches 100, clear it and increment location 1. We can see 1Hz rate counting of location 1 by sending it to gpio1 LED at location 8000.

Can you change from 1Hz to 10Hz counting rate, how?



Example of using Tera Terminal with key DUMP.

```

COM1:19200baud - Tera Term VT
File Edit Setup Control Window Help
E7D0:CC C1 0D 34 06 CC 00 08 E3 E1 34 06 E6 F1 1D E7 ...4.....4....
E7E0:F1 CC 70 35 34 06 CC 00 03 E3 E1 34 06 CC C1 0D ...p54.....4....
E7F0:34 06 CC 00 00 E3 E1 34 06 E6 F1 1D E7 F1 CC 70 4.....4.....p

E800:35 34 06 CC 00 02 E3 E1 34 06 CC C1 0D 34 06 CC 54.....4....4..
E810:00 09 E3 E1 34 06 E6 F1 1D E7 F1 CC 70 35 34 06 ...4.....p54.
E820:CC 00 01 E3 E1 34 06 CC 00 00 E7 F1 CC 70 35 34 ...4.....p54
E830:06 CC 00 00 E3 E1 34 06 CC 00 00 E7 F1 CC 00 01 ...4.....
E840:10 83 00 00 10 27 00 06 BD DF 09 7E E8 3D 39 36 ...~...=96
E850:38 30 39 20 4D 49 43 52 4F 50 52 4F 43 45 53 53 809 MICROPROCESS
E860:4F 52 20 4B 49 54 20 32 30 31 37 00 36 38 30 39 OR KIT 2017.6809
E870:20 4D 49 43 52 4F 50 52 4F 43 45 53 53 4F 52 00 MICROPROCESSOR.
E880:33 32 6B 42 20 52 41 4D 20 55 41 52 54 20 4C 43 32kB RAM UART LC
E890:44 00 00 FF FF FF FF FF FF FF FF FF FF FF FF FF D.....
E8A0:FF FF FF FF FF FF FF FF FF FF FF FF FF FF FF FF ..
E8B0:FF FF FF FF FF FF FF FF FF FF FF FF FF FF FF FF ..
E8C0:FF FF FF FF FF FF FF FF FF FF FF FF FF FF FF FF ..
E8D0:FF FF FF FF FF FF FF FF FF FF FF FF FF FF FF FF ..
E8E0:FF FF FF FF FF FF FF FF FF FF FF FF FF FF FF FF ..
E8F0:FF FF FF FF FF FF FF FF FF FF FF FF FF FF FF FF ..

6809 MICROPROCESSOR KIT 2017
Load Motorola s-record
0 error...

```

S-record file transfer with 1ms character delay setting.

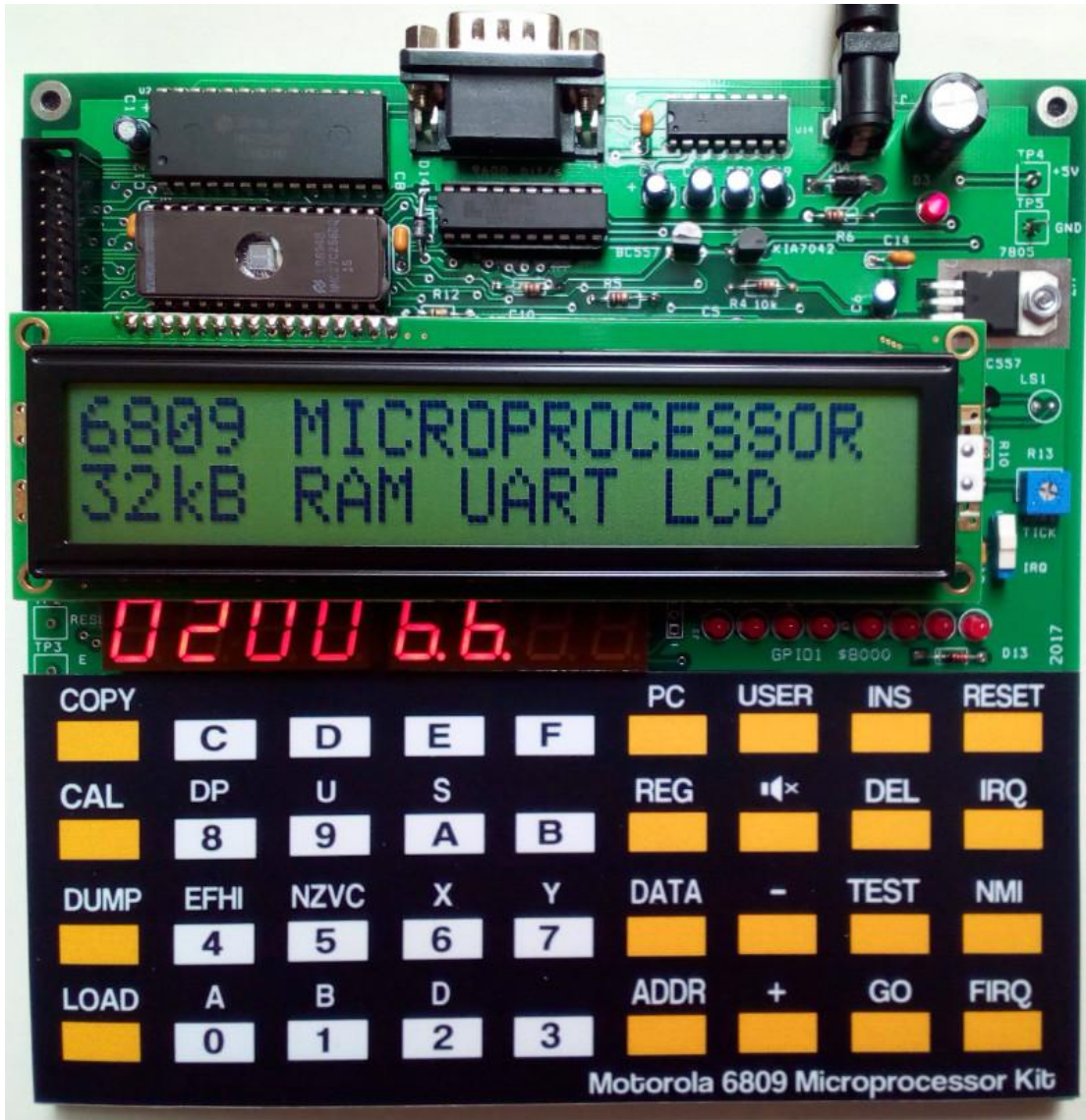


Figure 7: With Big letter LCD.

## **PARTS LIST**

### **Semiconductors**

U1 27C256, 32kB Eprom  
U2 HM62256B, 32kB SRAM  
U3 AT89C2051, 8-bit microcontroller  
U4 GAL16V8D, PLD  
U5 Motorola 68B09, 8-bit microprocessor  
U6 Motorola 6850, ACIA chip  
U7 7805, voltage regulator  
U9,U8 LTC-4727, 7-segment display  
U10,U11,U13 74HC573  
U12 74HC541  
U14 HIN232, RS232 converter  
Q1 BC557  
Q2 KIA7045  
Q3 BC557 D4 1N4007  
D13 1N5227A  
D14 1N4733A D1,D5,D6,D7,D8,D9,D10, LED  
D11,D12  
D3 POWER LED

### **Resistors (all resistors are 1/8W +/-5%)**

R1 680  
R2 RESISTOR SIP 9  
R3 100  
R13,R4 10k  
R6,R5 1k  
R9,R7 4.7k  
R11,R8 10k RESISTOR SIP 9  
R12,R10 10

### **Capacitors**

C1,C4,C5,C15,C18,C19,C20 10uF  
C3,C2 27pF  
C6 10uF 16V  
C7 1000uF25V  
C8,C9,C10,C11,C12 0.1uF  
C13,C14 0.1uF  
C21,C16 100nF  
C17 10uF 10V

### **Additional parts**

JP1 HEADER 20X2  
JR1 CONN RECT 16  
J1 DC Input  
J2 CON3  
J3 CON4A  
LS1 SPEAKERSW1 ESP switch  
SW2 IRQ  
SW3 RESET  
SW4 FIRQ  
SW5 NMI  
S1,S2,S3,S4,S5,S6,S7,S8, SW PUSHBUTTON  
S9,S10,S11,S12,S13,S14,  
S15,S16,S17,S18,S19,S20,  
S21,S22,S23,S24,S25,S26,  
S27,S28,S29,S30,S31,S32  
TP1,TP2,TP3 TEST POINT  
TP4 +5V  
TP5 GND  
VB1 SUB-D 9, Male (cross cable)  
Y1 4.9152MHz XTAL  
PCB double side plate through hole

display filter sheet, Amber color  
Keyboard sticker printable SVG file

Kit is available on ebay. More information please contact [Wichit Sirichote](#)

**Download** [Schematic](#), [Monitor source code](#), [Monitor listing](#), [PLD files](#), [AT89C2051 HEX file](#), [Keypad SVG file](#), [Quick start](#)

[Programming Book for 6809 Kit](#) rev 1.2 March 2018,

[6809 Kit User's Manual](#) rev 1 April 2020, [Tools and assembly source code](#)

[Programming Book for 6809 Kit Rev.2.0](#) April, 2020 updated monitor call adress with latest [monitor program](#).

## What's New?

16 May 2020, updated new monitor by Edilert Kirk with 20x4 LCD display for hex editor and user registers display, [newmon1.zip](#)



11 May 2020, Modified version of new monitor by Thomas Winkler, remapped the ROM and I/O locations to make more ROM space, [03-30K.zip](#)

0000 - 7FFF	system RAM (32 KB)
8800 - FFFF	system ROM (30 KB)
8000 - 87FF	IO (read write)
8800 - 8FFF	IO (write only)

9 May, 2020 New design 6809's keypad sheet, designed by Hark0, Jordi Bayo', [Corel draw file](#), [Inscap 0.92 File](#)



v1. 05/2020

## Keyboard Layout for 6809 Microprocessor Kit

Wichit Sirichote, wicht.sirichote@gmail.com

Design by Hark0

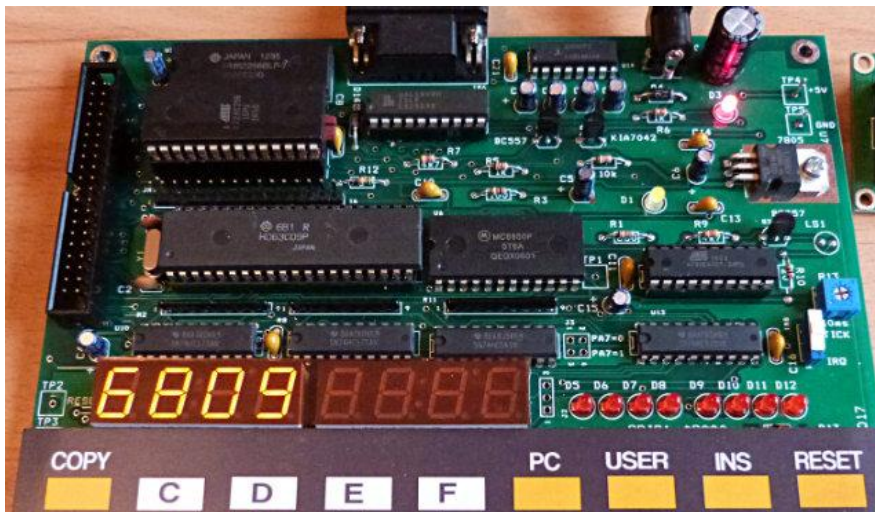
thehark0@gmail.com

3 May, 2020 New monitor program written in 6809 assembly code with BS9 Assembler by Edilbert Kirk. Super fast s19 downloading [source and listing \(pdf files\)](#), [ROM files](#)

23 April, 2020 updated monitor program, set user DP register to 0 when RESET, [Source code, list file and hex file for 32kB EPROM.](#)

27 March, 2020 updated montior program, **fixed Motorola s-record loading.** [Source code, HEX file](#) ready for programming the 32kB EPROM. Thanks to Thomas Winkler for bug report.

14 February, 2020 The 6809 kit has been tested with the Hitachi 63C09 microprocessor by Edilbert Kirk. Edilbert wrote his own Cross Assembler for 6309 CPU, <https://github.com/Edilbert/BS9>







Updated [6809](#) book by Richard SOREK, v4.13 (in French, 238 pages)

[6809 Assembly Programming](#) (in French, 247 pages) written by Richard SOREK  
Book is available on request by sending mail to [keros6809@gmail.com](mailto:keros6809@gmail.com)

[MICRO09KEY.stl](#) keyboard spacer 3D file for 6809 kit made by Lucien Gislong, [giscl@free.fr](mailto:giscl@free.fr)



